

871/1 DC TORQ-SET® Mplus bits, 1/4" x 32 mm

Bits for TORQ-SET® Screws



EAN:	4013288033192	Size:	32x11x11 mm
Part number:	05066646001	Weight:	14 g
Article number:	871/1 DC TORQ-SET® Mplus	Country of origin:	CZ
		Customs tariff number:	82079030

- For TORQ-SET® screws
- Mplus for more breaking torque and longer service life
- Diamond coating for a secure fit in the screw, literally bites into the screwhead to prevent cam-out
- 1/4" hexagon drive (Wera connecting series 1)

High quality bits for TORQ-SET® screws. The stronger flanks - when compared with the conventional TORQ-SET profile - result in 70% more breaking torque and thereby enhanced durability whilst at the same time providing a perfect fit in the screw head. The diamond coating of the bit ensures a secure fit in the screw, reduces the contact pressure required and lowers the risk of slipping. 1/4" hexagon, suitable for holders as per DIN ISO 1173-D 6.3.

Web link

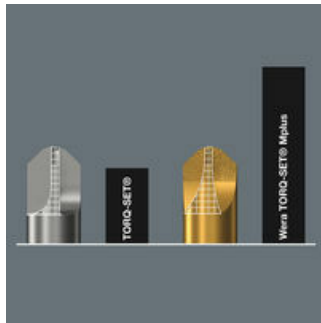
https://products.wera.de/en/bits_holders_adaptors_and_sets_the_range_of_bits_bits_for_torq-set_screws_871_1_dc_torq-set_mplus.html

Wera - 871/1 DC TORQ-SET® Mplus
05066646001 - 4013288033192

Wera Werkzeuge GmbH
Korzter Straße 21-25
D-42349 Wuppertal
Tel: +49 (0)2 02 / 40 45-0
E-Mail: info@wera.de

Bits for TORQ-SET® Screws

TORQ-SET® Mplus



Wera developed the Mplus profile with stronger flanks compared with tools with a conventional TORQ-SET® profile. This results in approximately 70 % extra torsional strength and greatly extends the service life of Wera Mplus tools.

Bits with diamond coating



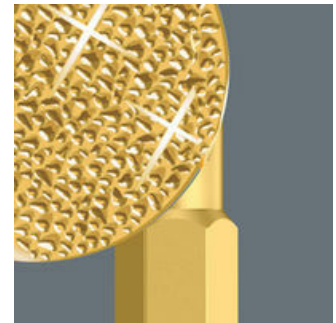
The diamond coating of the DC bits lowers the danger of slipping as the minute diamond particles literally "bite" themselves into the screw head.

Secure fit in the screw head



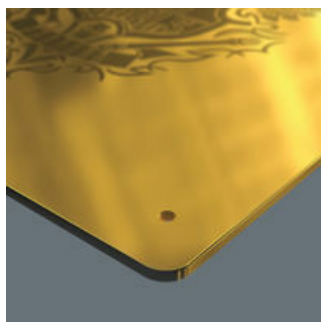
Today, the Wera diamond bit - manufactured with the technology specifically developed by Wera for this application - still sets the standard in terms of resilience and functionality. Wera bits with a diamond coating ensure a secure fit of the bit in the screw head.

Reduced cam-out forces








The minute diamond particles applied to the tip of the tool literally "bite" into the screw and ensure an exact, anti-slip fit in the head of the screw. This secure fit protects the screw. The cam-out forces which compel the user to apply greater pressure to the screw are considerably reduced.

Perfect fit



Ideal for sensitive materials

Further versions in this product family:

	 mm	 inch	 mm	 inch	 mm
05066638001	4	-	25	1"	4.7
05066640001	6	-	25	1"	4.7
05066642001	8	-	25	1"	6.0
05066644001	10	-	25	1"	6.0
05066646001	--	1/4"	32	1 1/4"	11.0

Web link

https://products.wera.de/en/bits_holders_adaptors_and_sets_the_range_of_bits_bits_for_torq-set_screws_871_1_dc_torq-set_mplus.html

Wera - 871/1 DC TORQ-SET® Mplus
05066646001 - 4013288033192

Wera Werkzeuge GmbH
Korzter Straße 21-25
D-42349 Wuppertal
Tel: +49 (0)2 02 / 40 45-0
E-Mail: info@wera.de