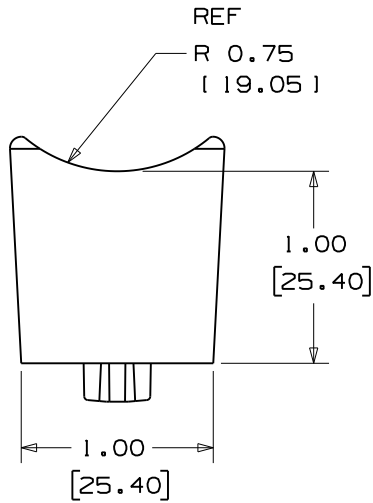
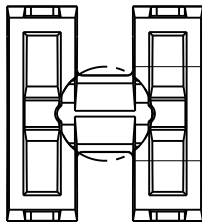
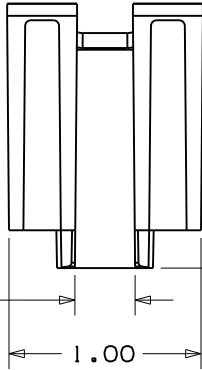
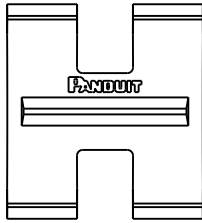
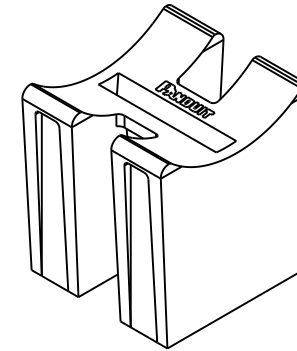


THIS COPY IS PROVIDED ON A RESTRICTED BASIS AND IS NOT TO BE USED IN ANY WAY DETRIMENTAL TO THE INTERESTS OF PANDUIT CORP.



| PANDUIT PART NUMBER* | WEIGHT | |
|----------------------|-------------|-------------|
| | lbs/100 pcs | (g)/100 pcs |
| TMSH50 | 2.06 | (937) |



NOTES:

- *1. SEE CURRENT PRICE SHEET FOR PART NUMBER SUFFIX DESIGNATION FOR PACKAGE SIZE.

DIMENSIONS IN BRACKETS ARE METRIC [mm]
 CAD FILENAME/LAYERS G00239CQ_PB_TMSH50_A_04.PRT

PANDUIT CORP. TINLEY PARK, ILLINOIS

TMSH50 FRAME MOUNTED SHOULDERS STANDOFF

UNLESS OTHERWISE SPECIFIED, DIMENSIONAL TOLERANCES ARE:
 (.X) ±0.05 (1.3) (.XXX) ±0.010 (0.25)
 (.XX) ±0.02 (0.5) ANGLES ± 5°

UNLESS OTHERWISE SPECIFIED, ALL DIMENSIONS ARE GIVEN IN INCHES, THIRD ANGLE PROJECTION.

| | | |
|---------------|-----------------------------------------------------------------------------|-------------|
| DRAWN BY GDH | MAT'L: HEAT STABILIZED WEATHER RESISTANT NYLON 6/6, COLOR BLACK | SCALE FULL |
| DATE 07/25/95 | | DRAWING NO. |
| CHK'D | | GB0239CQ |
| | | DWG SIZE A |

| REV | DATE | BY | CHK | DESCRIPTION | ECN | R | CUST | SUP |
|-----|----------|-----|-----|---------------------------------------------------------------------------------------------------|----------|---|------|-----|
| 4 | 6-27/01 | LGG | | UPDATED AND ADDED REF | GB0239CQ | 4 | | |
| 3 | 07/26/00 | GDH | | 1) DIM .310 MIN WAS .310. 2) MATERIAL WAS POLYPROPYLENE, GLASS FILLED 3) WEIGHT WAS 2.03/(924) | GB0239CQ | 3 | | |
| 2 | 04/18/96 | GDH | | REVISED TO REFLECT NEW PART GEOMETRY | GB0239CQ | 2 | | |
| 1 | 07/25/95 | GDH | | REVISED PART GEOMETRY AND WEIGHT | GB0239CQ | 1 | | |
| R | 03/28/95 | GDH | | INITIAL RELEASE | GB0239CQ | R | | |