

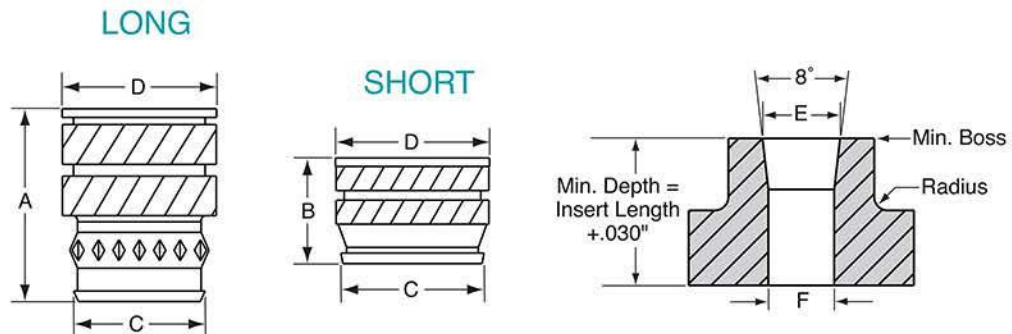
# H Series Tapered Inserts

## Superior in design and performance

H Series Tapered Inserts outperform all competitive inserts for ultrasonic and thermal applications. Our customers confirm it.

We've eliminated the outward stress that occurs with other insert designs during the installation process. Our proprietary "knuckle knurl" ensures a more uniform flow of material into the diagonal knurls and undercuts, ensuring a complete fill, reducing installation time and increasing holding strengths.

Recommended Hole Size – See chart for installation hole size.  
Additional information can be found on page 5, Design Guidelines.



INCH		METRIC		A	B	C	D	E	F	Min. Boss
Thread Size	Part Number	Thread Size	Part Number	±.004 [long]	±.004 [short]	±.004	±.004	+.002 -.000	+.002 -.000	
0-80	080 x 115H	M1.6 x 0.35	M16 x 115H		.115	.123	.141	.129	.118	.246
	080 x 188H		M16 x 188H	.188		.112	.141	.123	.107	.246
2-56	256 x 115H	M2.0 x 0.4	M20 x 115H		.115	.123	.141	.129	.118	.246
	256 x 188H		M20 x 188H	.188		.112	.141	.123	.107	.246
4-40	440 x 135H	M2.5 x 0.45	M25 x 135H		.135	.157	.172	.159	.153	.318
	440 x 219H		M25 x 219H	.219		.146	.172	.159	.141	.318
	440 x 285H		M25 x 285H	.285		.146	.172	.159	.141	.318
5-40	540 x 150H	M3.0 x 0.5	M30 x 150H		.150	.203	.219	.206	.199	.412
	540 x 250H		M30 x 250H	.250		.190	.219	.206	.185	.412
6-32	632 x 150H	M3.5 x 0.6	M35 x 150H		.150	.203	.219	.206	.199	.412
	632 x 250H		M35 x 250H	.250		.190	.219	.206	.185	.412
8-32	832 x 185H	M4.0 x 0.7	M40 x 185H		.185	.230	.250	.234	.226	.468
	832 x 312H		M40 x 312H	.312		.213	.250	.234	.208	.468
	832 x 375H		M40 x 375H	.375		.213	.250	.234	.208	.468

continued on next page

# H Series Tapered Inserts

INCH		METRIC		A	B	C	D	E	F	Min. Boss
Thread Size	Part Number	Thread Size	Part Number	±.004 [long]	±.004 [short]	±.004	±.004	+ .002 - .000	+ .002 - .000	
10-24	1024 x 150H				.150	.267	.297	.277	.267	.554
	1024 x 225H				.225	.272	.297	.277	.267	.554
	1024 x 375H			.375		.251	.297	.277	.246	.554
10-32	1032 x 150H				.150	.267	.297	.277	.267	.554
	1032 x 225H				.225	.272	.297	.277	.267	.554
	1032 x 375H			.375		.251	.297	.277	.246	.554
		M5.0 x 0.8	M50 x 265H		.265	.308	.328	.315	.303	.630
			M50 x 438H	.438		.283	.328	.315	.278	.630
1/4-20	2520 x 300H				.300	.354	.375	.363	.349	.726
	2520 x 500H			.500		.332	.375	.363	.321	.726
1/4-28	2528 x 300H	M6.0 x 1.0	M60 x 300H		.300	.354	.375	.363	.349	.726
	2528 x 500H		M60 x 500H	.500		.332	.375	.363	.321	.726
5/16-18	3118 x 335H				.335	.439	.469	.448	.431	.896
	3118 x 562H			.562		.406	.469	.448	.401	.896
5/16-24	3124 x 335H	M8.0 x 1.25	M80 x 335H		.335	.439	.469	.448	.431	.896
	3124 x 562H		M80 x 562H	.562		.406	.469	.448	.401	.896
3/8-16	3816 x 375H				.375	.532	.563	.540	.523	1.080
	3816 x 625H			.625		.493	.563	.540	.488	1.080
3/8-24	3824 x 375H	M10.0 x 1.5	M100 x 375H		.375	.532	.563	.540	.523	1.080
	3824 x 625H		M100 x 625H	.625		.493	.563	.540	.488	1.080

*Stainless Steel Inserts – Class 3A/4H screw must pass with finger torque, standard class go gage may stop on last thread. • Part numbers for Stainless Steel Inserts are the same as listed in the chart, but ending with -SS.*

*Thread sizes of 0-80, 2-56, M1.6 and M2.0 in H Series Inserts have a single diamond knurl.*