

southco

PROPRIETARY ITEM - EXCEPT FOR USES EXPRESSLY GRANTED IN WRITING INFORMATION DISCLOSED HEREON IS CONFIDENTIAL AND ALL RIGHTS PATENT AND OTHERWISE ARE RESERVED BY SOUTHCO, INC.

No. 48 ADJUSTABLE PAWL FASTENER LEFT HAND PHILLIPS RECESS SCREW (TYPE B)

DATE	DRAWN	CHKD	SCALE
7-7-88	JSS		--

DRAWING NUMBER
J-48-9-L

REV	DATE	DRAWN/CHKD	DESCRIPTION	ITEM	PART NUMBER	PAWL POSITION	GRIP RANGE	MATERIAL & FINISH
D	29DEC2005	MDY/AJH	PRN: P2005-1828	ASSEMBLY	48-91-L	FORWARD	.09 - .38	SEE NOTE A
				ASSEMBLY	48-92-L	STRAIGHT	.34 - .63	
				ASSEMBLY	48-93-L	REVERSED	.59 - .88	

INCHES

ALL DIMENSIONS WITHOUT TOLERANCES ARE FOR REFERENCE ONLY.

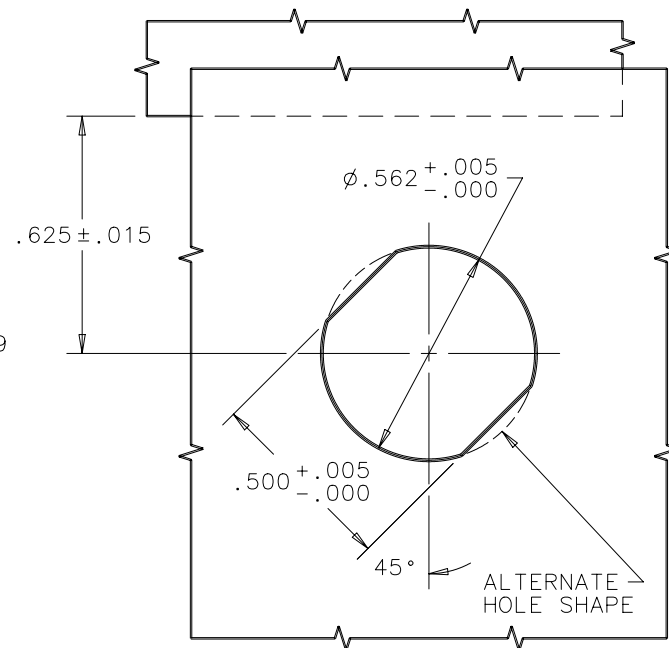
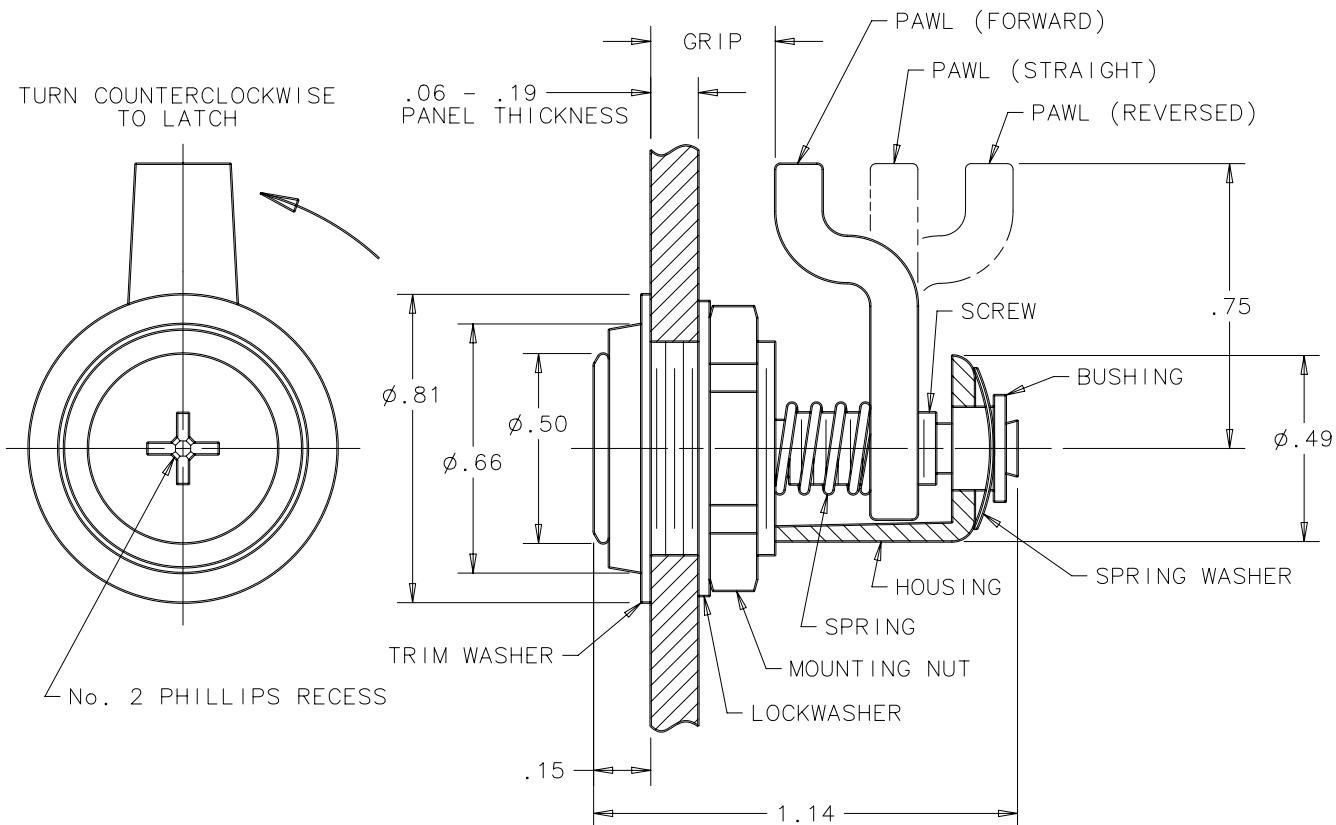
THIRD ANGLE PROJECTION

A PAPER SIZE

NOTES:

A. MATERIAL & FINISH:

- SCREW: STEEL, ZINC PLATE CHROMATE DIP
- PAWL: STEEL, ZINC PLATE CHROMATE DIP
- HOUSING: DIE CAST ZINC, CHEMICAL PROTECTIVE FILM
- SPRING WASHER: STAINLESS STEEL, NATURAL
- SPRING: STAINLESS STEEL, PASSIVATED
- MOUNTING NUT: STEEL, ZINC PLATE CHROMATE DIP
- BUSHING: STEEL, ZINC PLATE CHROMATE DIP
- LOCKWASHER: STEEL, ZINC PLATE CHROMATE DIP
- TRIM WASHER: STEEL, ZINC PLATE CHROMATE DIP



PANEL PREPARATION