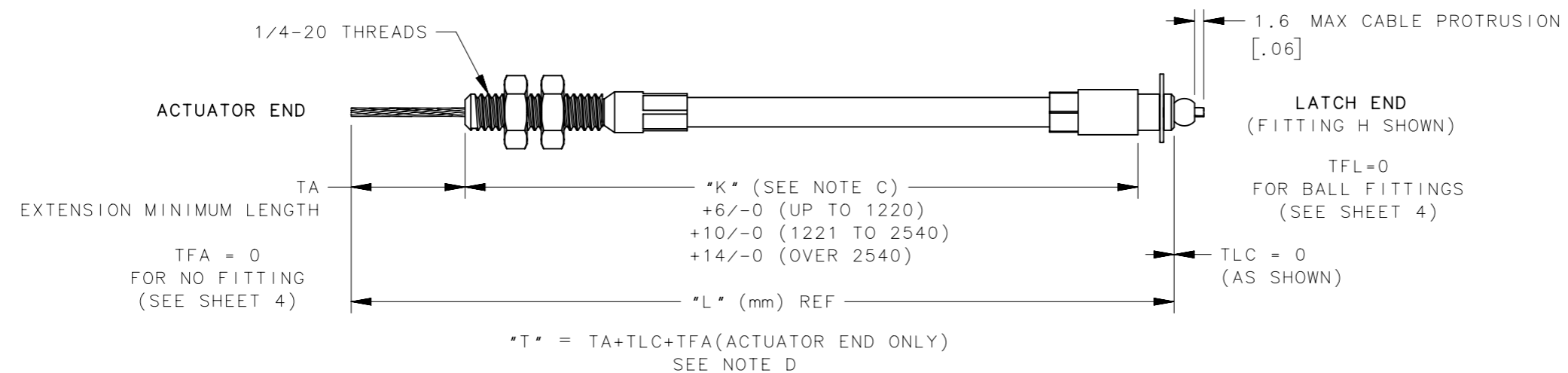
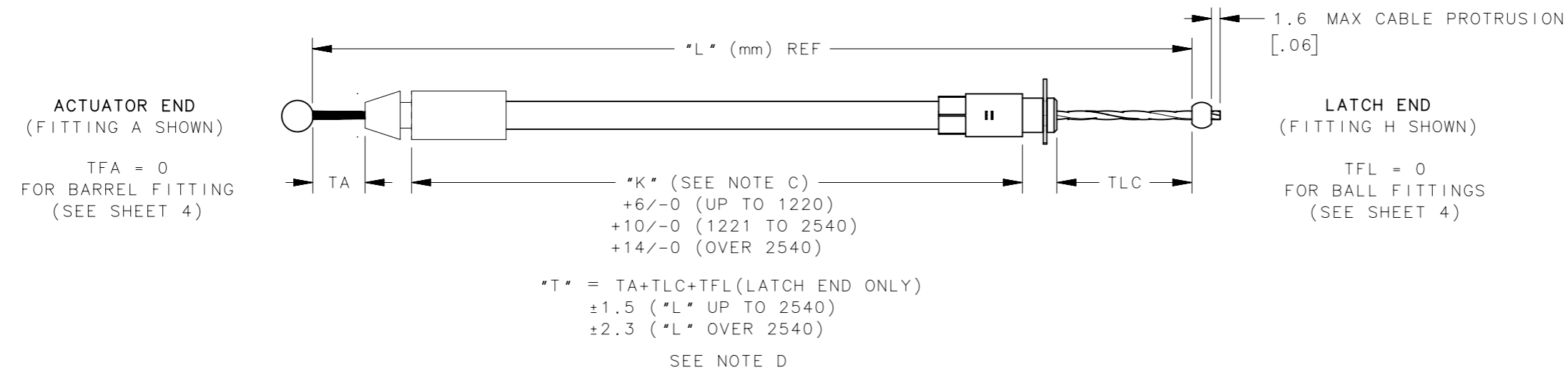


| REVISION HISTORY | | | |
|------------------|-----------|---------|-----------------|
| REV | DATE | BY | DESCRIPTION |
| 0 | 19NOV2019 | ZAA/CLB | PRN: P2019-2774 |

JACKETED CABLES WITH THREADED AND SNAP RETAINERS (4)
(P/N AC-COHO-4-LLLL-TTT SHOWN)



JACKETED CABLES WITH CONICAL END COUPLING AND SNAP RING RETAINERS (5)
(P/N AC-CAHO-5-LLLL-TTT SHOWN)

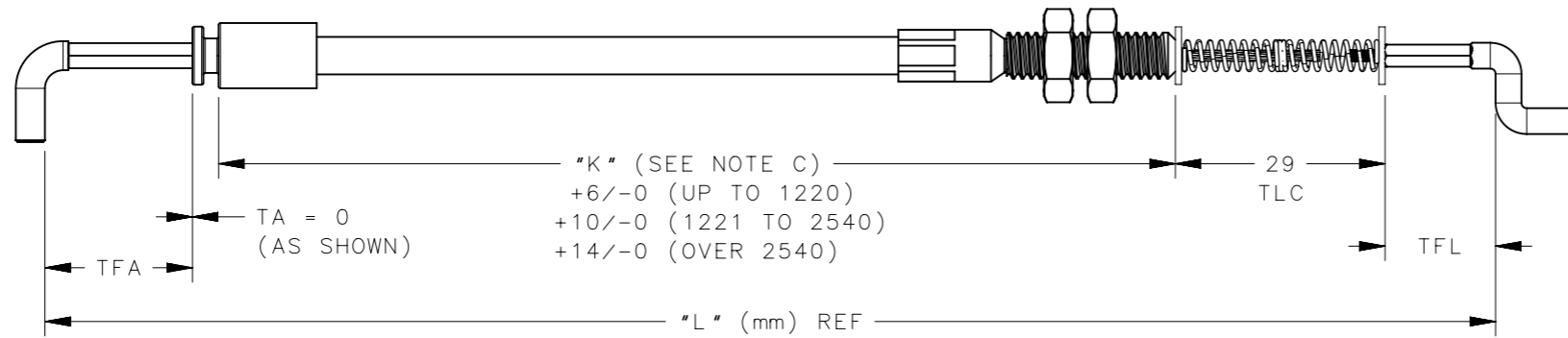


| | | | | | | |
|--|----------------------|----------|-------------------|---------------------------------|-----------|--|
| THIRD ANGLE PROJECTION | | | | CONNECT • CREATE • INNOVATE | | |
| | | | | | | |
| TOLERANCES UNLESS OTHERWISE NOTED | | | DESCRIPTION | | | |
| ALL DIMENSIONS WITHOUT TOLERANCES ARE FOR REFERENCE ONLY | | | AC CABLE ASSEMBLY | | | |
| PROPRIETARY ITEM | PER ASME Y14.5M-1994 | SIZE A3 | SYSTEM NX | DWG NO. | J-AC-C | |
| EXCEPT FOR USES EXPRESSLY GRANTED IN WRITING, INFORMATION DISCLOSED HEREON IS CONFIDENTIAL AND ALL RIGHTS, PATENT AND OTHERWISE, ARE RESERVED BY SOUTHCO, INC. | | DRAWN BY | ACH/MJS | DATE | 15JUL2008 | |
| | | SCALE | 1:1 | SHEET 2 OF 4 | | |

| REVISION HISTORY | | | |
|------------------|-----------|---------|-----------------|
| REV | DATE | BY | DESCRIPTION |
| 0 | 19NOV2019 | ZAA/CLB | PRN: P2019-2774 |

JACKETED CABLES WITH SNUB END COUPLING AND THREADED RETAINER(6)
(P/N AC-CBC1-6-LLLL-TTT SHOWN)

ACTUATOR END
(FITTING B SHOWN)



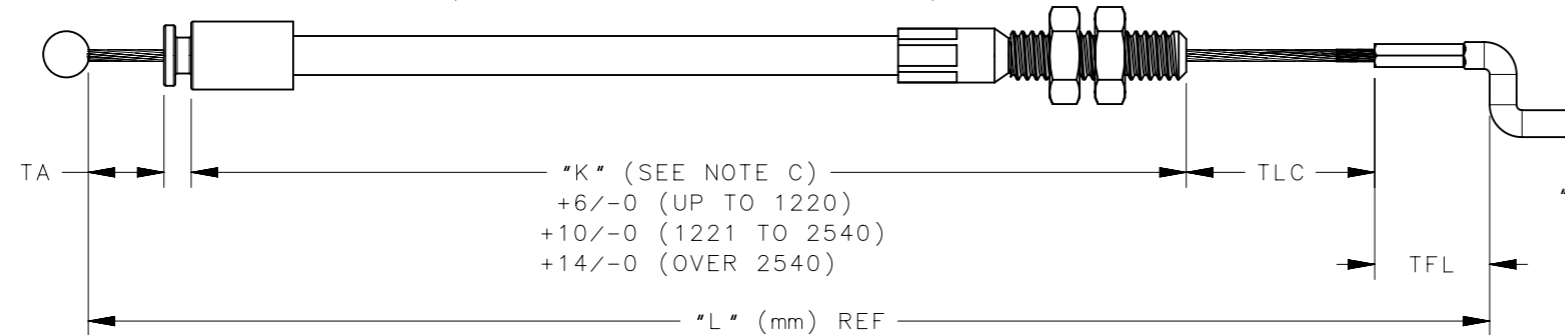
LATCH END
(FITTING C SHOWN)

"T" = TA+TLC+TFL(LATCH END ONLY)
±1.5 ("L" UP TO 2540)
±2.3 ("L" OVER 2540)
SEE NOTE D

| CONDUIT TYPE | "K" DIMENSION | MIN "K" |
|--------------|---------------|---------|
| TYPE 6 | L-TFA-T-3.6mm | 82mm |

(P/N AC-CAC0-6-LLLL-TTT SHOWN)

ACTUATOR END
(FITTING A SHOWN)
TFA = 0
FOR BARREL FITTING
(SEE SHEET 4)

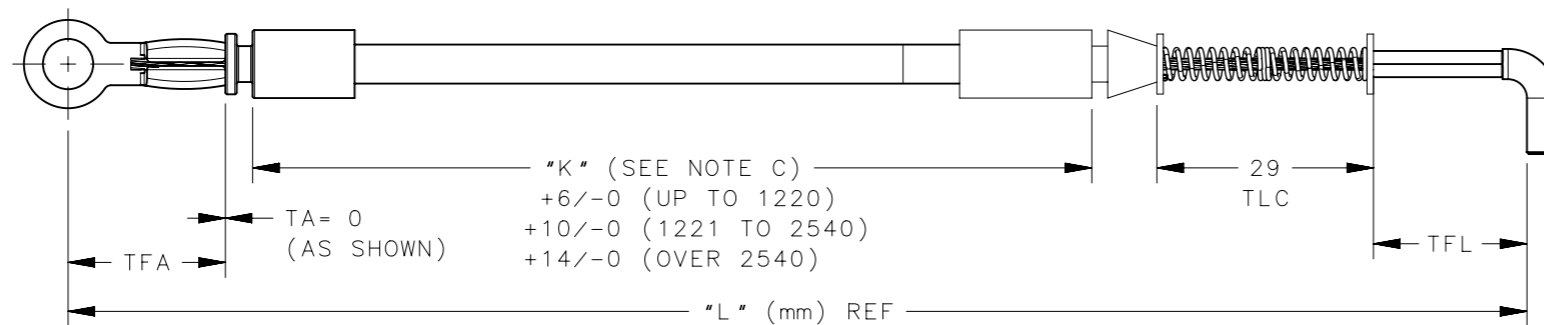


LATCH END
(FITTING C SHOWN)

"T" = TA+TLC+TFL(LATCH END ONLY)
±1.5 ("L" UP TO 2540)
±2.3 ("L" OVER 2540)
SEE NOTE D

JACKETED CABLES WITH SNUB AND CONICAL END COUPLINGS (7)
(P/N AC-CDB1-7-LLLL-TTT SHOWN)

ACTUATOR END
(FITTING D SHOWN)



LATCH END
(FITTING B SHOWN)

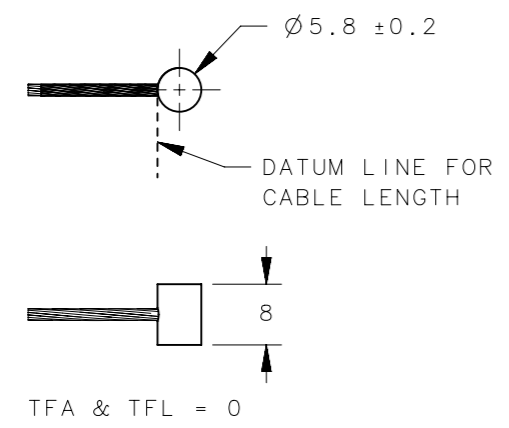
"T" = TA+TLC+TFL(LATCH END ONLY)
±1.5 ("L" UP TO 2540)
±2.3 ("L" OVER 2540)
SEE NOTE D

| CONDUIT TYPE | "K" DIMENSION | MIN "K" |
|--------------|----------------|---------|
| TYPE 7 | L-TFA-T-12.2mm | 52mm |

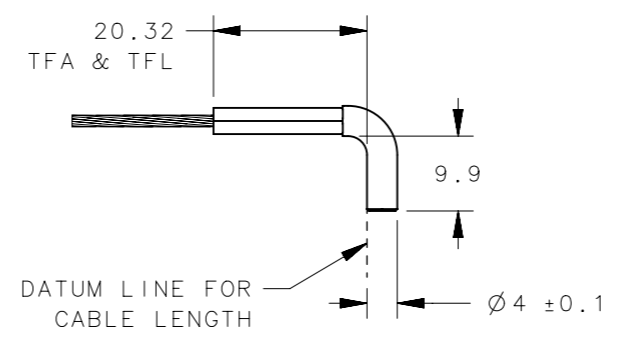
| | | | |
|---|--|--|---|
| THIRD ANGLE PROJECTION | | | |
| | MILLIMETERS [IN] | | |
| | TOLERANCES UNLESS OTHERWISE NOTED | | |
| | ALL DIMENSIONS WITHOUT TOLERANCES ARE FOR REFERENCE ONLY | | |
| PROPRIETARY ITEM <small>EXCEPT FOR USES EXPRESSLY GRANTED IN WRITING, INFORMATION DISCLOSED HEREON IS CONFIDENTIAL AND ALL RIGHTS, PATENT AND OTHERWISE, ARE RESERVED BY SOUTHCO, INC.</small> | PER ASME Y14.5M-1994 | SIZE A3 SYSTEM NX DRAWN BY ACH/MJS | DESCRIPTION AC CABLE ASSEMBLY DWG NO. J-AC-C DATE 15JUL2008 SCALE 1:1 SHEET 3 OF 4 |

| REVISION HISTORY | | | |
|------------------|-----------|---------|-----------------|
| REV | DATE | BY | DESCRIPTION |
| 0 | 19NOV2019 | ZAA/CLB | PRN: P2019-2774 |

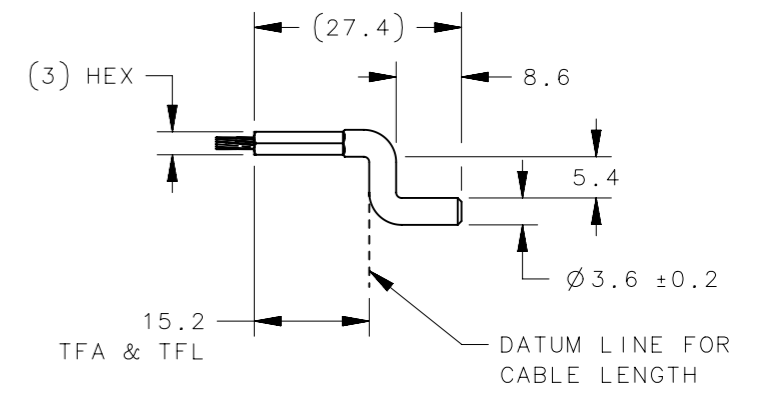
FITTING A (BARREL FITTING) DIE CAST ZINC
 FITTING J (BARREL FITTING) STAINLESS STEEL



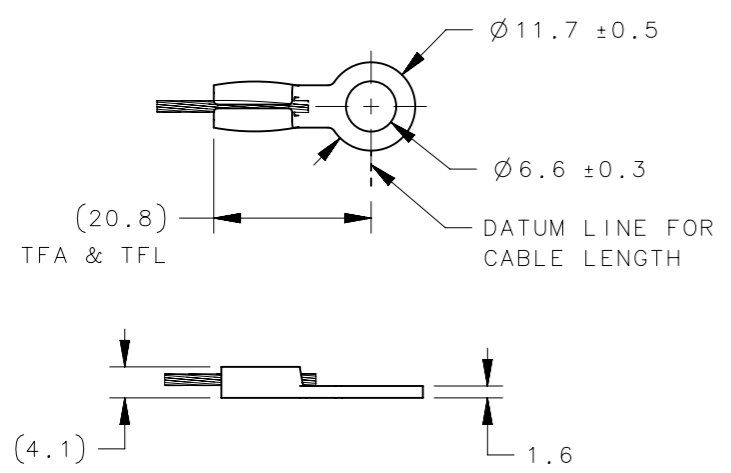
FITTING B (L FITTING) STEEL
 FITTING K (L FITTING) STAINLESS STEEL



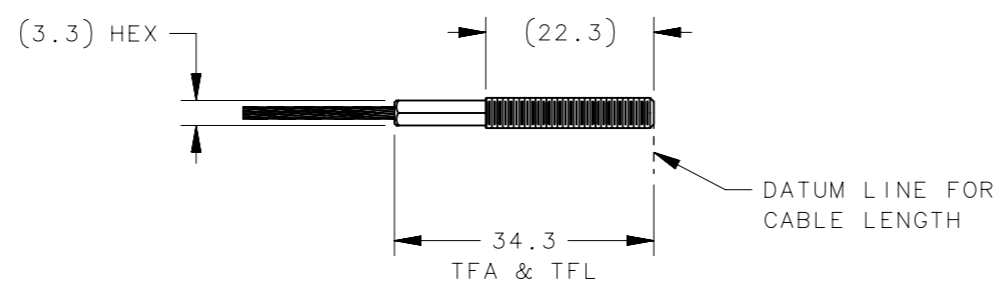
FITTING C (Z FITTING) STEEL



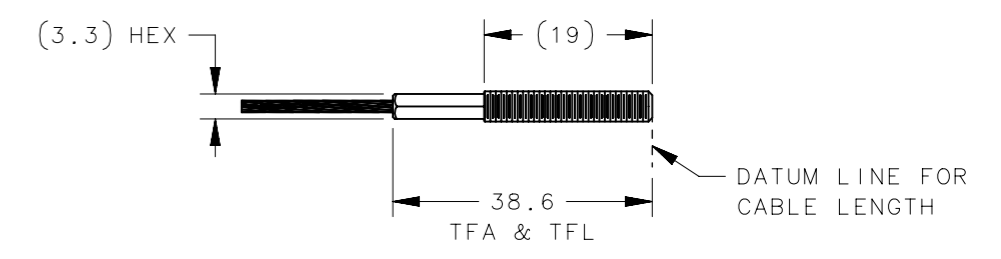
FITTING D (EYELET FITTING) STAINLESS STEEL



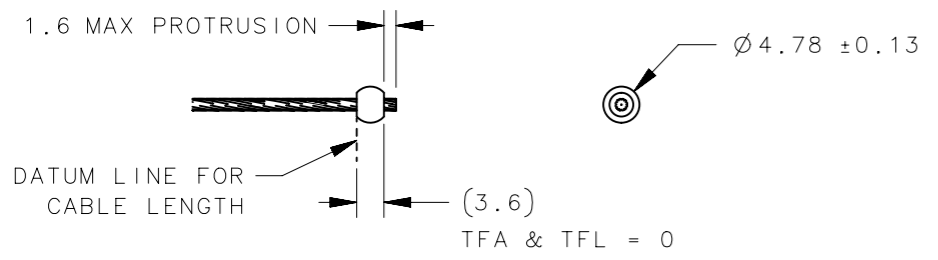
FITTING E (THREADED FITTING) STEEL
 M4 THREAD



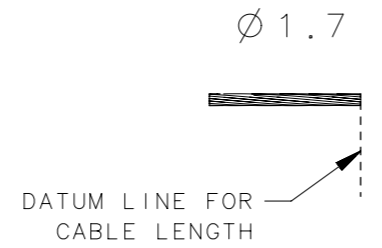
FITTING F (THREADED FITTING) STEEL
 8-32 THREAD



FITTING H (BALL FITTING) STAINLESS STEEL



FITTING O [ZERO] (BARE CABLE) STAINLESS STEEL



| | | | |
|------------------|------------------------|----------------------------|-------------|
| - | END COUPLING | NYLON | BLACK |
| - | SPRING | STAINLESS STEEL | NATURAL |
| - | JACKET | POLYPROPYLENE | BLACK |
| - | LINER | ACETAL | WHITE |
| - | CABLE | STAINLESS STEEL | NATURAL |
| - | WASHER(2) | STAINLESS STEEL | NATURAL |
| K | L FITTING | 300 SERIES STAINLESS STEEL | NATURAL |
| J | BARREL FITTING | 300 SERIES STAINLESS STEEL | NATURAL |
| H | BALL FITTING | 300 SERIES STAINLESS STEEL | NATURAL |
| F | THREADED TERMINAL 8-32 | STEEL | ZINC PLATED |
| E | THREADED TERMINAL M4 | STEEL | ZINC PLATED |
| D | EYELET FITTING | 300 SERIES STAINLESS STEEL | NATURAL |
| C | Z FITTING | STEEL | ZINC PLATED |
| B | L FITTING | STEEL | ZINC PLATED |
| A | BARREL FITTING | ZAMAK 5 | NATURAL |
| FITTING VARIABLE | | TYPE OF COMPONENT | FINISH |

THIRD ANGLE PROJECTION

MILLIMETERS [IN]

TOLERANCES UNLESS OTHERWISE NOTED

ALL DIMENSIONS WITHOUT TOLERANCES ARE FOR REFERENCE ONLY

PER ASME Y14.5M-1994

DESCRIPTION: AC CABLE ASSEMBLY FITTINGS

SIZE: A3 SYSTEM: NX DWG NO.: J-AC-C

DRAWN BY: ACH/MJS DATE: 15JUL2008 SCALE: 1:1 SHEET: 4 OF 4

southco
CONNECT • CREATE • INNOVATE

PROPRIETARY ITEM
 EXCEPT FOR USES EXPRESSLY GRANTED IN WRITING, INFORMATION DISCLOSED HEREON IS CONFIDENTIAL AND ALL RIGHTS, PATENT AND OTHERWISE, ARE RESERVED BY SOUTHCO, INC.