

# southco

PROPRIETARY ITEM - EXCEPT FOR USES EXPRESSLY GRANTED IN WRITING INFORMATION DISCLOSED HEREON IS CONFIDENTIAL AND ALL RIGHTS PATENT AND OTHERWISE ARE RESERVED BY SOUTHCO, INC.

TITLE  
**PANEX SIZE 6 - MOULDED HEAD**

DATE: 21-10-08  
DRAWN: MJW  
CHKD:  
SCALE: 2:1

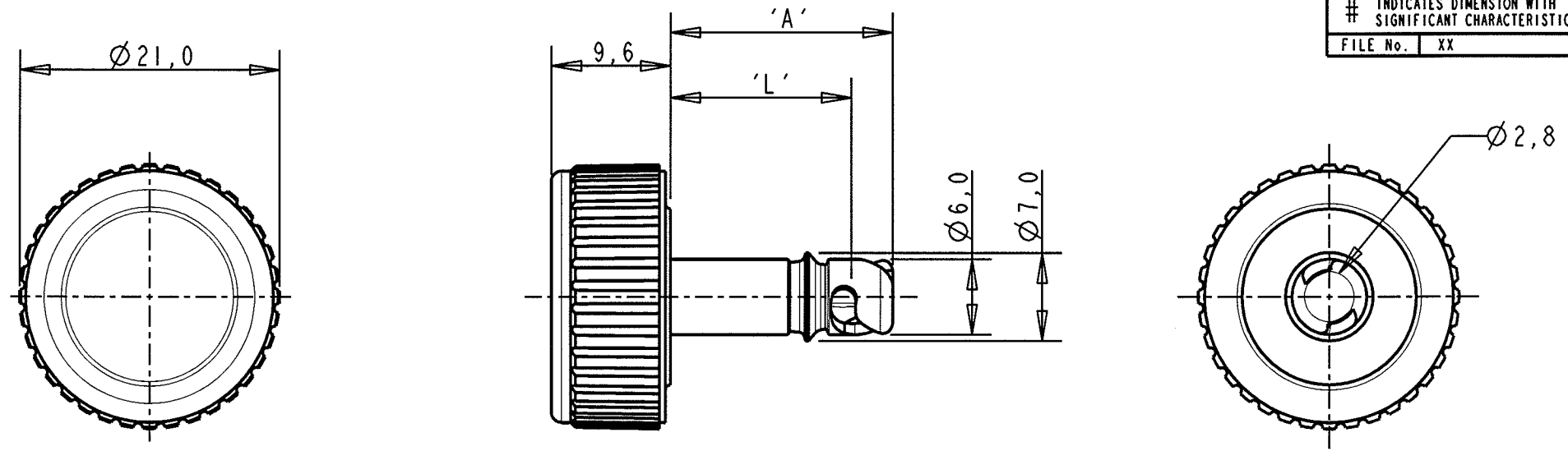
DRAWING NUMBER  
**J-D3-316-8XX-049**

REV	DATE	DRAWN/CHKD	DESCRIPTION	PART NUMBER	MATERIAL	FINISH
A	21-10-08	M Waldren	DRAWING REQUEST	D3-316-8XX-049	STUD - STEEL KNOB - ABS	ZINC & CLEAR PASS. BLACK

**MILLIMETERS**

ALL UNTOLERANCED DIMENSIONS ARE FOR REFERENCE

THIRD ANGLE PROJECTION  
# INDICATES DIMENSION WITH SIGNIFICANT CHARACTERISTIC  
FILE No. XX



	'A'	'L'
D3 316 809 049	12.0	9.0
D3 316 810 049	13.0	10.0
D3 316 811 049	14.0	11.0
D3 316 812 049	15.0	12.0
D3 316 813 049	16.0	13.0
D3 316 814 049	17.0	14.0
D3 316 815 049	18.0	15.0
D3 316 816 049	19.0	16.0
D3 316 817 049	20.0	17.0
D3 316 818 049	21.0	18.0
D3 316 819 049	22.0	19.0
D3 316 820 049	23.0	20.0

	'A'	'L'
D3 316 821 049	24.0	21.0
D3 316 822 049	25.0	22.0
D3 316 823 049	26.0	23.0
D3 316 824 049	27.0	24.0
D3 316 825 049	28.0	25.0
D3 316 826 049	29.0	26.0
D3 316 827 049	30.0	27.0
D3 316 828 049	31.0	28.0
D3 316 829 049	32.0	29.0
D3 316 830 049	33.0	30.0
D3 316 831 049	34.0	31.0
D3 316 832 049	35.0	32.0

	'A'	'L'
D3 316 833 049	36.0	33.0
D3 316 834 049	37.0	34.0
D3 316 835 049	38.0	35.0
D3 316 836 049	39.0	36.0
D3 316 837 049	40.0	37.0
D3 316 838 049	41.0	38.0
D3 316 839 049	42.0	39.0
D3 316 840 049	43.0	40.0
D3 316 841 049	44.0	41.0
D3 316 842 049	45.0	42.0
D3 316 843 049	46.0	43.0