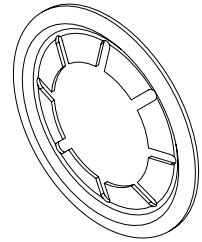
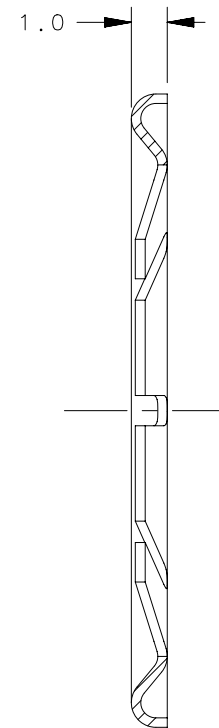
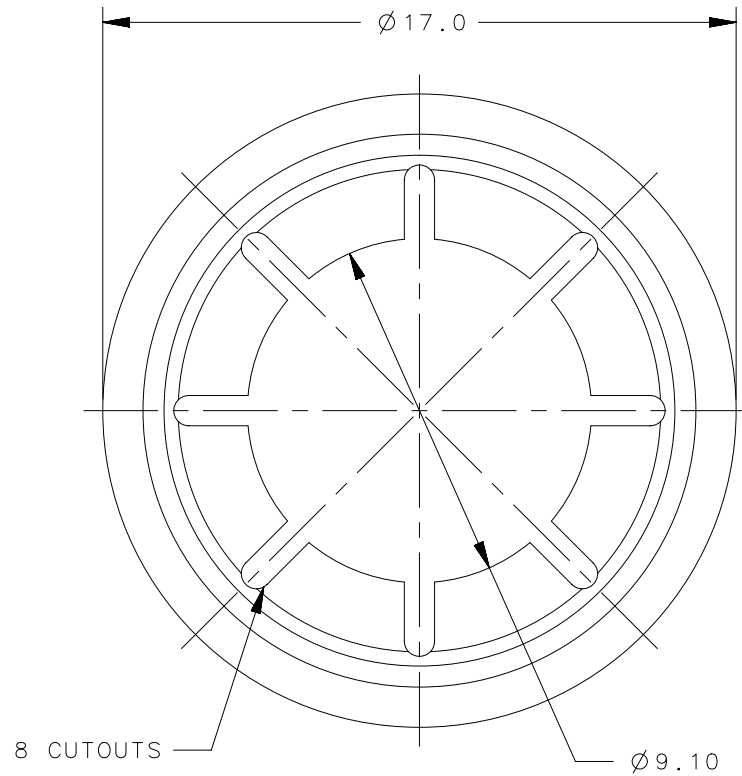
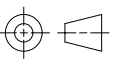


REVISION HISTORY			
REV	DATE	BY	DESCRIPTION
A	07MAY2013	CMS/MGG	PRN: P2013-0975



SCALE 2:1

D3-329-101-190	RETAINER	STEEL	ZINC PLATE PLUS CHROMATE CONVERSION COATING	
PART NUMBER	TYPE OF COMPONENT	MATERIAL	FINISH	
	THIRD ANGLE PROJECTION			
	MILLIMETERS [IN]			
	TOLERANCES UNLESS OTHERWISE NOTED	DESCRIPTION		
SURFACE AREA	ALL DIMENSIONS WITHOUT TOLERANCES ARE FOR REFERENCE ONLY.	RETAINER		
VOLUME				
PROPRIETARY ITEM	PER ASME Y14.5M-1994	SIZE A4	SYSTEM NX	DWG NO. J-D3-329-101
EXCEPT FOR USES EXPRESSLY GRANTED IN WRITING, INFORMATION DISCLOSED HEREON IS CONFIDENTIAL AND ALL RIGHTS, PATENT AND OTHERWISE, ARE RESERVED BY SOUTHCO, INC.		DRAWN BY CMS/MGG	DATE 07MAY2013	SCALE 5:1 SHEET 1 OF 1