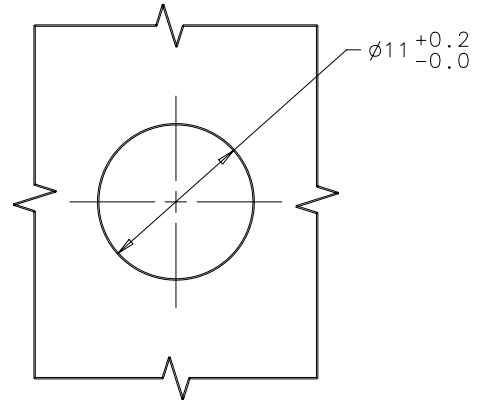
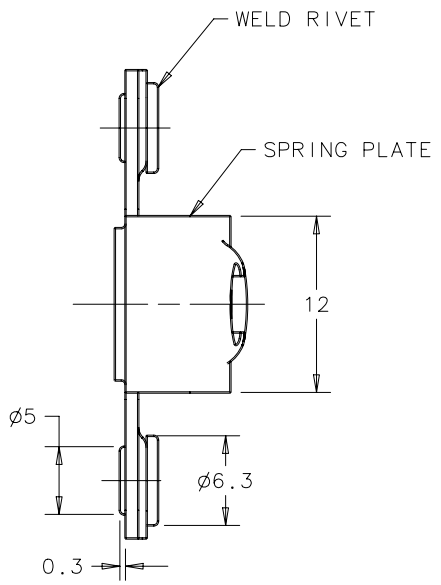
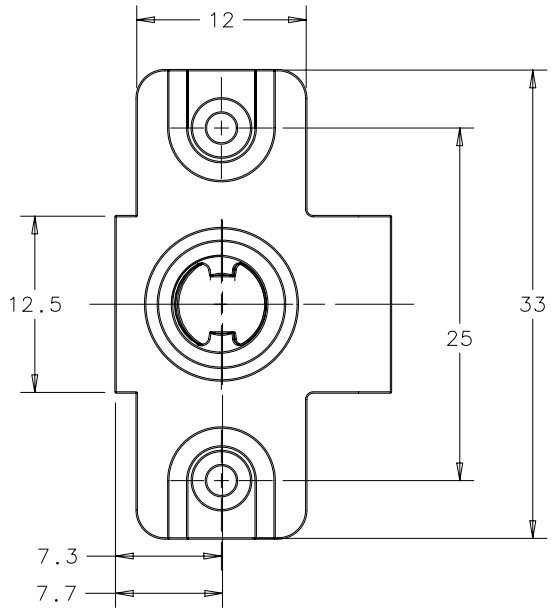
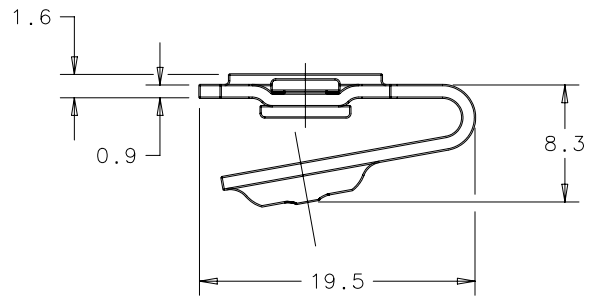


PROPRIETARY ITEM
 EXCEPT FOR USES EXPRESSLY GRANTED
 IN WRITING, INFORMATION DISCLOSED
 HEREON IS CONFIDENTIAL AND ALL
 RIGHTS, PATENT AND OTHERWISE,
 ARE RESERVED BY SOUTHCO, INC.

REVISION HISTORY				
REV	DATE	DRAWN	CHECKED	DESCRIPTION
A	28FEB2007	VNK	VGW	PRN: P2007-0301



PANEL PREPARATION



WELD PLATE	D3-336-500-190		
SPRING PLATE	-	CARBON STEEL	ZINC PLATE BRIGHT CHROMATE
WELDING RIVET	-		
ITEM	PART NUMBER	MATERIAL	FINISH
THIRD ANGLE PROJECTION		 CONNECT · CREATE · INNOVATE	
ALL DIMENSIONS WITHOUT TOLERANCES ARE FOR REFERENCE ONLY.			
MILLIMETERS		SIZE A4	SYSTEM I-DEAS
		DWG NO J-D3-336-500-190	
VOLUME XXXXXmm ³	MASS XXXXg	DRWN/CHKD VNK/VGV	DATE 28FEB2007
		SCALE 2:1	SHEET 1 OF 1