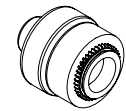
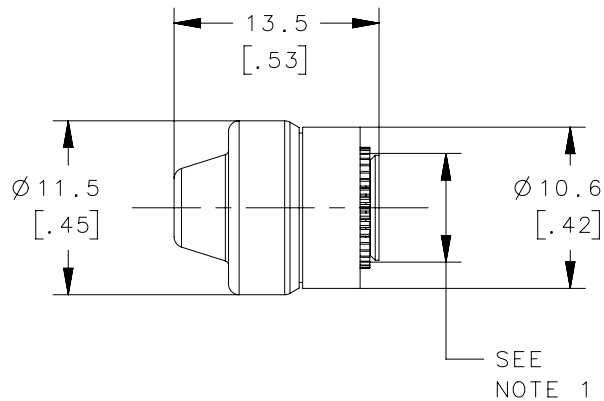
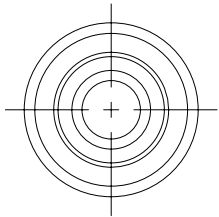
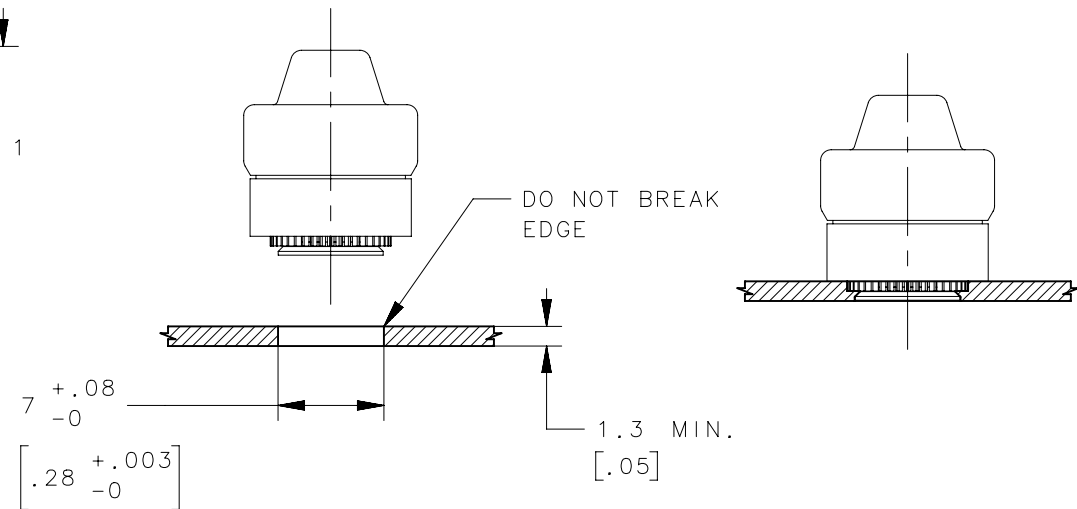


REVISION HISTORY			
REV	DATE	BY	DESCRIPTION
B	27 JUNE 2011	DMS/YGC	PRN: P2011-0834



REF. VIEW
SCALE 1:1



- NOTE:
1. RECOMMENDED HOLE SIZE - $\varnothing 7.08/7.0$
MINIMUM PANEL THICKNESS 1.30.
 2. FOR USE IN LOW CARBON STEELS, ALUMINIUM
AND STAINLESS STEELS IN THE ANNEALED
CONDITION THAT ARE RB85 OR SOFTER.
 3. USE INSTALLATION TOOL D8-334-119-190.

D8-334-110-190	CARBON STEEL	ZINC PLATE
D8-334-110-121	CARBON STEEL	SILVER GEOMET
PART NUMBER	MATERIAL	FINISH
	THIRD ANGLE PROJECTION	 CONNECT • CREATE • INNOVATE
	MILLIMETERS [IN]	
	TOLERANCES UNLESS OTHERWISE NOTED	DESCRIPTION PRESS IN - REAR MOUNT INSERT
	ALL DIMENSIONS WITHOUT TOLERANCES ARE FOR REFERENCE ONLY.	SIZE A4 SYSTEM NX DWG NO. J-D8-334-110
PROPRIETARY ITEM <small>EXCEPT FOR USES EXPRESSLY GRANTED IN WRITING, INFORMATION DISCLOSED HEREON IS CONFIDENTIAL AND ALL RIGHTS, PATENT AND OTHERWISE, ARE RESERVED BY SOUTHCO, INC.</small>	PER ASME Y14.5M-1994	DRAWN BY M. WALDREN DATE 25 MAR 2009 SCALE 2:1 SHEET 1 OF 1