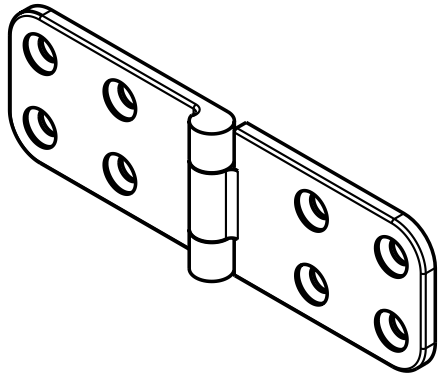
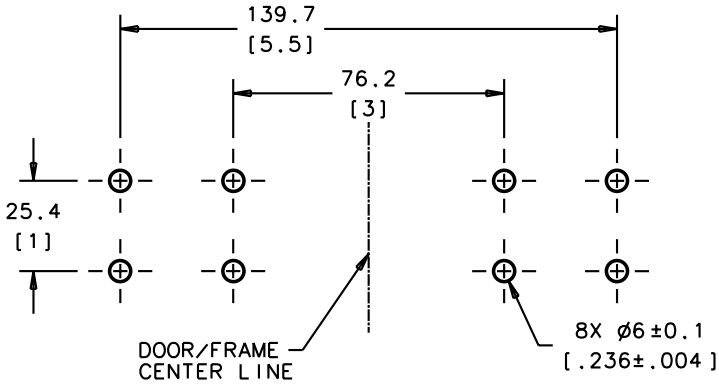
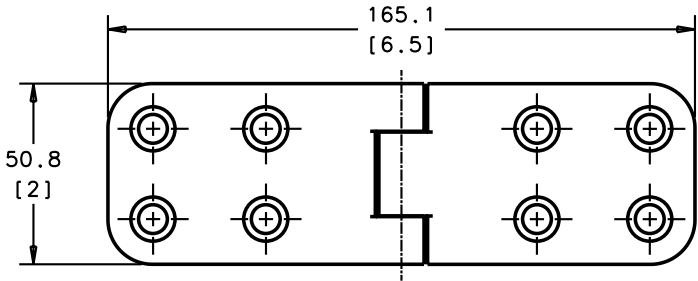
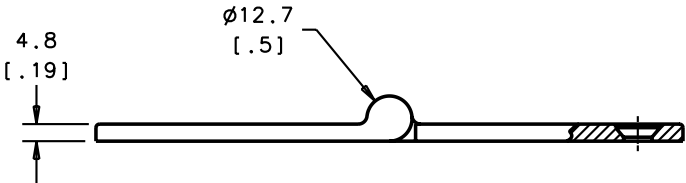


REVISION HISTORY			
REV	DATE	BY	DESCRIPTION



PANEL PREPARATION



OBSOLETE
 Record DWG
 SEE DWG: NA
 PER PRN: P2018-0810
 Initials / Date: YBS / 03APR2018

NOTES:

- A. MATERIAL AND FINISH:
 INNER AND OUTER LEAF - CF-8M STAINLESS STEEL
 (NOMINAL CAST EQUIVALENT OF 316 STAINLESS STEEL),
 POLISHED.
- PIN - 304 STAINLESS STEEL
- B. DESIGNED TO ACCEPT M6 OR No.12 SCREW OR EQUIVALENT.
 (NOT SUPPLIED).

HINGE	EH-6A-5V17-24	SEE NOTE A	SEE NOTE A	
ITEM	PART NUMBER	MATERIAL	FINISH	
	THIRD ANGLE PROJECTION	southco [®] CONNECT · CREATE · INNOVATE		
	MILLIMETERS [IN]			
	ALL DIMENSIONS WITHOUT TOLERANCES ARE FOR REFERENCE ONLY.	TITLE ENGINE HATCH HINGE, CASTED 50.8mm X 165.1mm		
	PROPRIETARY ITEM EXCEPT FOR USES EXPRESSLY GRANTED IN WRITING, INFORMATION DISCLOSED HEREON IS CONFIDENTIAL AND ALL RIGHTS, PATENT AND OTHERWISE ARE RESERVED BY SOUTHCO, INC.	SIZE A4	SYSTEM IDEAS	DWG NO. J-EH-6A-5V17
	PER ASME Y14.5M-1994	DRAWN BY RLR	DATE 31MAY2007	SCALE 1:1 SHEET 1 OF 1