

4X Ø5.3 THRU
Ø9.3 X 90° COUNTERSINK

4X Ø5.4 ±0.1
PANEL PREPARATION

REVISION HISTORY			
REV	DATE	BY	DESCRIPTION
F	04JAN2019	DKP/DMS	PRN: P2019-0021

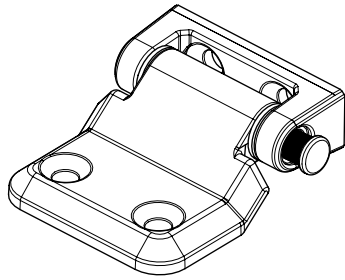
4	-	2	BUSHING	DELTRIN	NATURAL-BLACK
3	-	1	PIN	STAINLESS STEEL	NATURAL
2	-	1	BRACKET	DIE CAST ZINC	BLACK POWDER COATED
1	-	1	LEAF	DIE CAST ZINC	BLACK POWDER COATED
-	EH-6C-5V4-50	-	HINGE ASSEMBLY	-	-
4	-	2	BUSHING	DELTRIN	NATURAL-BLACK
3	-	1	PIN	STAINLESS STEEL	NATURAL
2	-	1	BRACKET	DIE CAST ZINC	CHROME PLATED
1	-	1	LEAF	DIE CAST ZINC	CHROME PLATED
-	EH-6C-5V4-38	-	HINGE ASSEMBLY	-	-
NO.	PART NUMBER	QTY	TYPE OF COMPONENT	MATERIAL	FINISH

NOTES:

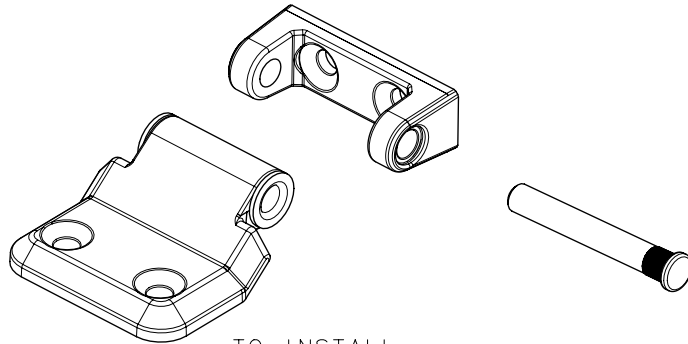
- COSMETIC SPECIFICATION:
ALL SURFACES ARE TO CONFORM TO A CLASS "B" DESIGNATION UNLESS OTHERWISE INDICATED AS DESCRIBED IN SOUTHCO COSMETIC SPECIFICATIONS:
S-121-01 FOR CHROME PLATING
S-121-03 FOR POWDER COATING
- PACKAGING: TRAY PACKAGED, SHIPPED (25) PER BOX.
- FOR LARGER OFFSET DIMENSION, USE EH-6C-B-XX SPACER (SOLD SEPARATELY).

THIRD ANGLE PROJECTION				 CONNECT • CREATE • INNOVATE	
MILLIMETERS [IN]					
TOLERANCES UNLESS OTHERWISE NOTED		DESCRIPTION EH OFFSET HINGE			
ALL DIMENSIONS WITHOUT TOLERANCES ARE FOR REFERENCE ONLY.		SIZE A4	SYSTEM NX	DWG NO. J-EH-6C-5V4	
PROPRIETARY ITEM <small>EXCEPT FOR USES EXPRESSLY GRANTED IN WRITING, INFORMATION DISCLOSED HEREON IS CONFIDENTIAL AND ALL RIGHTS, PATENT AND OTHERWISE, ARE RESERVED BY SOUTHCO, INC.</small>		DRAWN BY AJH	DATE 12JUL2005	SCALE 1:1	SHEET 1 OF 2
PER ASME Y14.5M-1994					

REVISION HISTORY			
REV	DATE	BY	DESCRIPTION
F	04JAN2019	DKP/DMS	PRN: P2019-0021

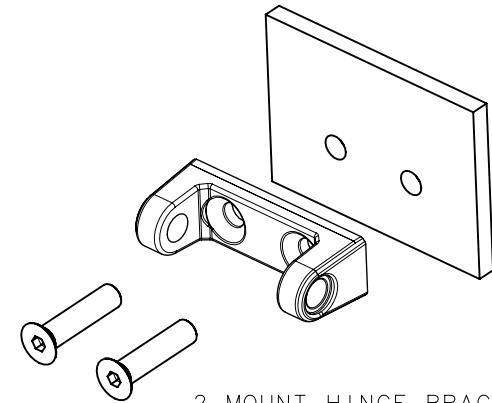


HINGE ASSEMBLY AS PACKAGED

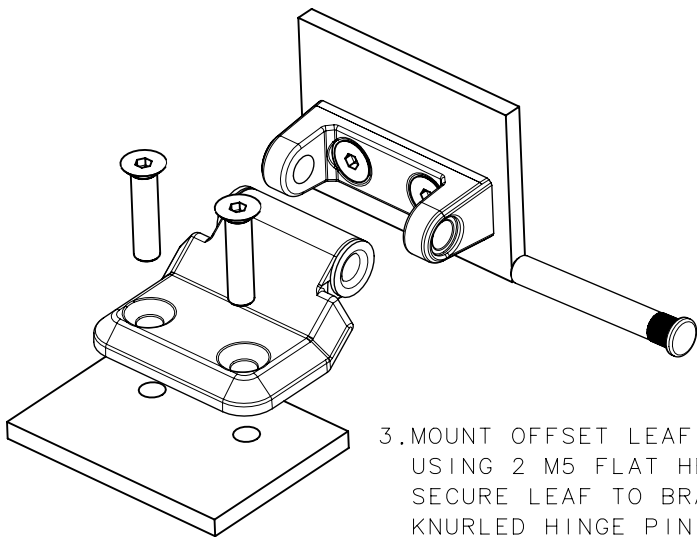


TO INSTALL:

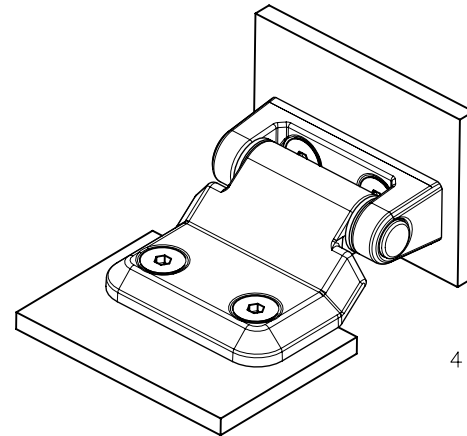
1. REMOVE HINGE PIN FROM HINGE ASSEMBLY AND SEPARATE OFFSET LEAF AND BRACKET.



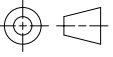

2. MOUNT HINGE BRACKET TO FRAME USING 2 M5 FLAT HEAD SCREWS (NOT SUPPLIED).



3. MOUNT OFFSET LEAF TO DOOR USING 2 M5 FLAT HEAD SCREWS. SECURE LEAF TO BRACKET WITH KNURLED HINGE PIN.



4. HEAD OF HINGE PIN MUST BE FLUSH WITH SIDE OF HINGE BRACKET.

THIRD ANGLE PROJECTION 		 CONNECT • CREATE • INNOVATE	
MILLIMETERS [IN]			
TOLERANCES UNLESS OTHERWISE NOTED		DESCRIPTION EH OFFSET HINGE	
ALL DIMENSIONS WITHOUT TOLERANCES ARE FOR REFERENCE ONLY.		SIZE A4	SYSTEM NX
<small>PROPRIETARY ITEM EXCEPT FOR USES EXPRESSLY GRANTED IN WRITING, INFORMATION DISCLOSED HEREON IS CONFIDENTIAL AND ALL RIGHTS, PATENT AND OTHERWISE, ARE RESERVED BY SOUTHCO, INC.</small>		DWG NO. J-EH-6C-5V4	
PER ASME Y14.5M-1994		DRAWN BY AJH	DATE 12JUL2005
		SCALE 1:1.5	SHEET 2 OF 2