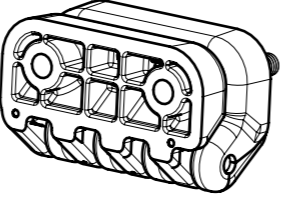
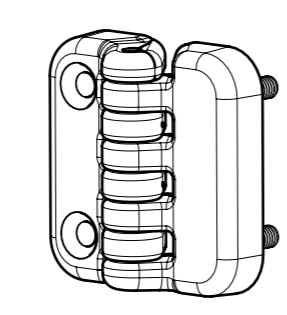
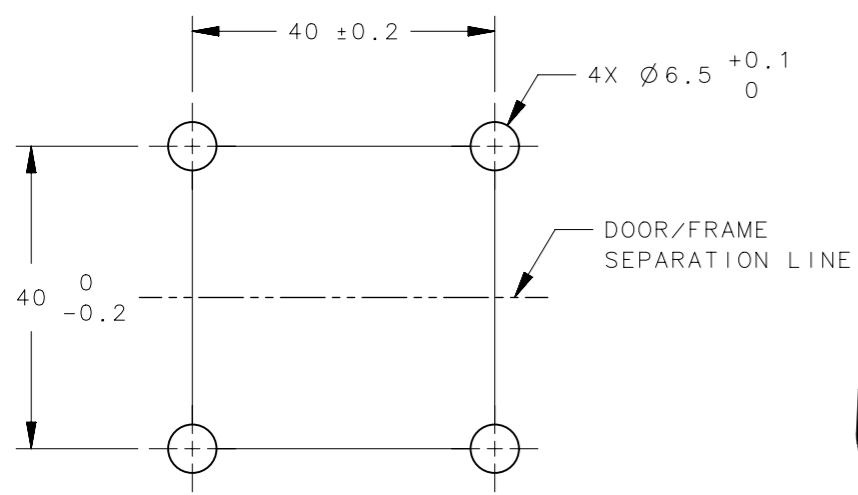
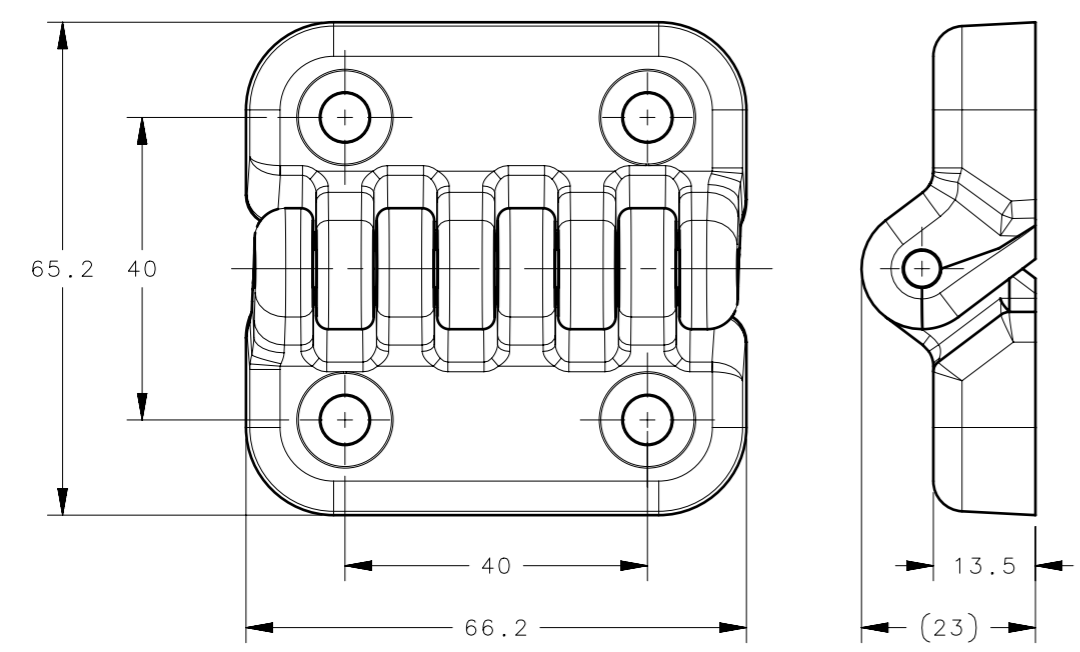
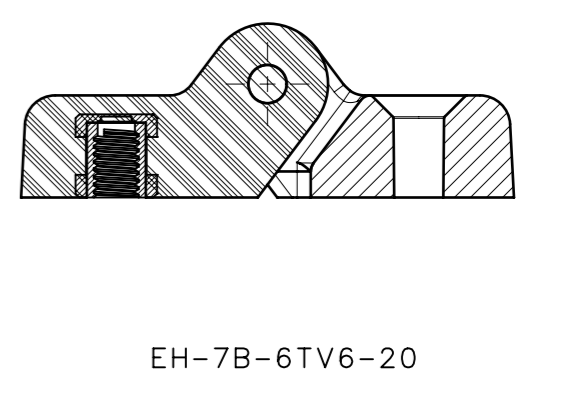
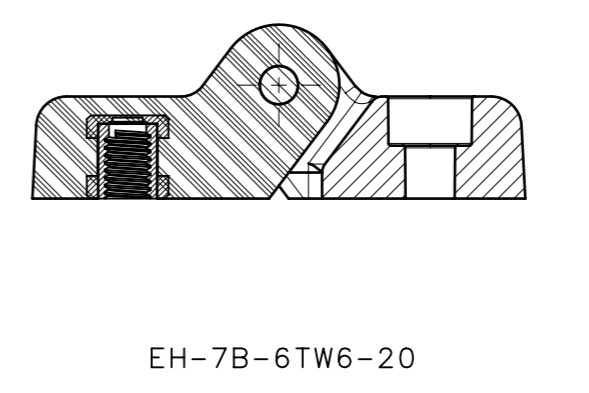
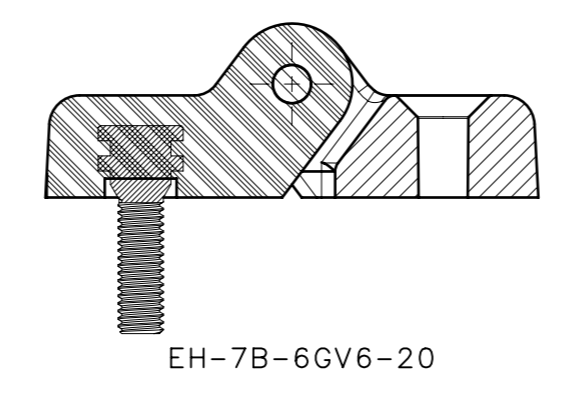
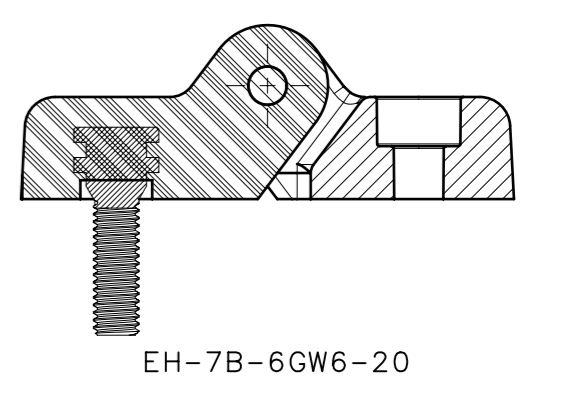
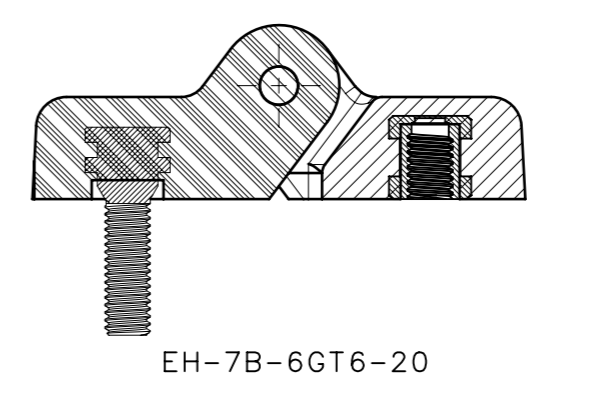
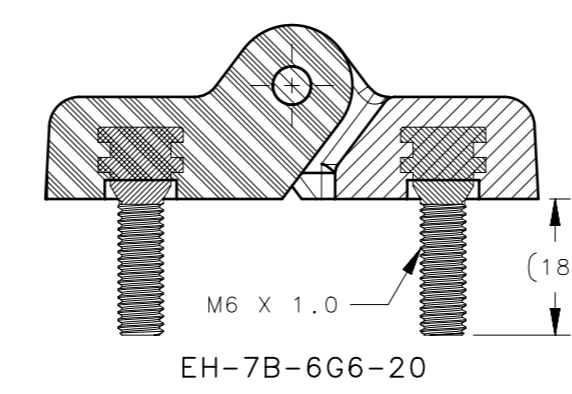
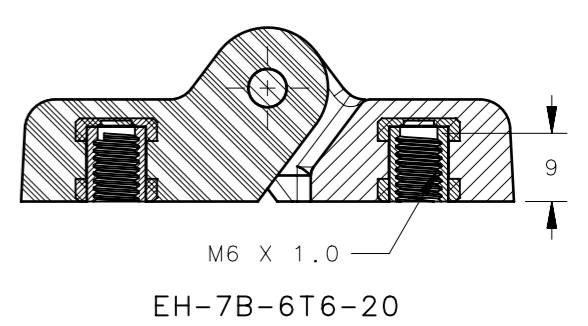
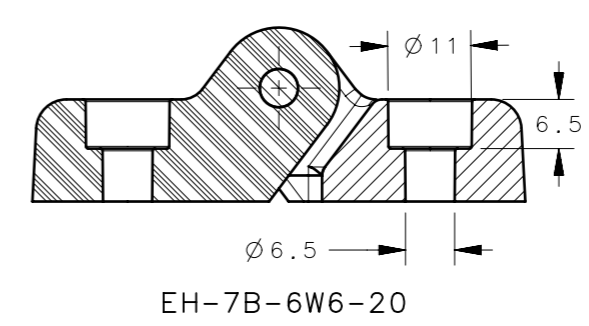
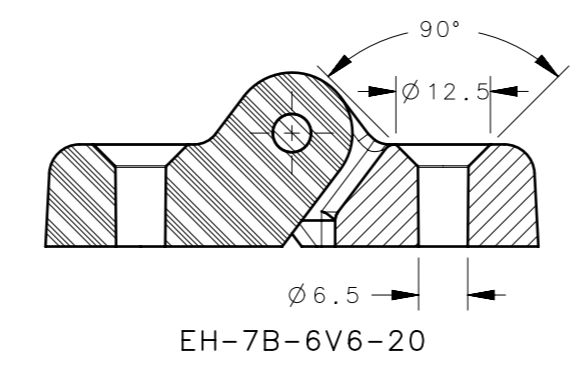


REVISION HISTORY			
REV	DATE	BY	DESCRIPTION
C	15SEP2022	VK/YGC	PRN: P2022-1619



SCALE 1:2
EH-5B-6GV6-20



PART NO. SHOWN: EH-7B-6V6-20

- NOTES:
- MATERIAL AND FINISH:
HINGE LEAF- NYLON, BLACK
PIN- STAINLESS STEEL, PASSIVATED
INSERT NUT- STEEL, ZINC PLATED
INSERT STUD- STEEL, ZINC PLATED.
 - INSTALLATION TORQUE OF SCREW FOR COUNTERSINK VERSION: 3 Nm MAX.
 - INSTALLATION TORQUE OF SCREW FOR COUNTERBORE VERSION: 5 Nm MAX
 - INSTALLATION TORQUE OF NUT FOR INSERTED STUD VERSION: 5 Nm MAX.
 - INSTALLATION TORQUE OF SCREW FOR INSERTED NUT VERSION: 5 Nm MAX.
 - HARDWARE NOT SUPPLIED.

PART NUMBER	DESCRIPTION	MATERIAL	FINISH
EH-7B-6TV6-20	HINGE ASSEMBLY(INSERT NUT + C/SINK)		
EH-7B-6TW6-20	HINGE ASSEMBLY(INSERT NUT + C/BORE)		
EH-7B-6GV6-20	HINGE ASSEMBLY(INSERT STUD + C/SINK)		
EH-7B-6GW6-20	HINGE ASSEMBLY(INSERT STUD + C/BORE)		
EH-7B-6GT6-20	HINGE ASSEMBLY(INSERT STUD + INSERT NUT)	SEE NOTE 1	SEE NOTE 1
EH-7B-6G6-20	HINGE ASSEMBLY(INSERT STUD + INSERT STUD)		
EH-7B-6T6-20	HINGE ASSEMBLY(INSERT NUT + INSERT NUT)		
EH-7B-6W6-20	HINGE ASSEMBLY(C/BORE + C/BORE)		
EH-7B-6V6-20	HINGE ASSEMBLY(C/SINK + C/SINK)		

CPB NUMBER 2019-0813	THIRD ANGLE PROJECTION	
SURFACE AREA	MILLIMETERS [IN]	
VOLUME	TOLERANCES UNLESS OTHERWISE NOTED	DESCRIPTION FREE SWINGING HINGE ASSEMBLY 65MM VARIANT
PROPRIETARY ITEM	ALL DIMENSIONS WITHOUT TOLERANCES ARE FOR REFERENCE ONLY.	SIZE A3
EXCEPT FOR USES EXPRESSLY GRANTED IN WRITING, INFORMATION DISCLOSED HEREON IS CONFIDENTIAL AND ALL RIGHTS, PATENT AND OTHERWISE, ARE RESERVED BY SOUTHCO, INC.	PER ASME Y14.5M-1994	SYSTEM NX
		DWG NO. J-EH-7B-6-20
		DATE 19NOV2019
		SCALE 1:1
		SHEET 1 OF 1