

**southco**  
 PROPRIETARY ITEM - EXCEPT FOR USES EXPRESSLY GRANTED IN WRITING INFORMATION IS UNCLASSIFIED HEREON IS CONFIDENTIAL AND ALL RIGHTS ARE RESERVED BY SOUTHCO, INC.  
 REV DATE DRAWN/CHKD DESCRIPTION RELEASED FOR PRODUCTION  
 A 03NOV2008 IR/DLH IR/ACH 2008-1345  
 B 09 DEC 08 IR/ACH PRN: 2009-0162  
 C 04 FEB 09 IR/ACH PRN: 2011-1073  
 D 22AUG2011 MJS/MSR PRN: P2011-1872  
 E 22SEP2014 CMS/BGL PRN: P2018-2534  
 F 06OCT2018 CMS/CDW PRN: P2018-2534

DRAWING NUMBER	J-H3-60-301-0
DRAWN CHKD SCALE	IR ACH DNS
DATE	26 JUN 08
DESCRIPTION	SWINGHANDLE LATCH, ACTUATOR, INDOOR, 25x150 SIZE
MATERIAL	ZAMAC 3
FINISH/COLOR	BLACK POWDERCOAT
DESCRIPTION	HANDLE DISC SPRING DUMMY CAM
MATERIAL	STEEL
FINISH/COLOR	ZINC PLATE
DESCRIPTION	SHAFT ROTATION LIMITER LOCKING PLUG
MATERIAL	STAINLESS
FINISH/COLOR	PASSIVATED
DESCRIPTION	DIN LOCK ASSY PANEL GASKET
MATERIAL	CHROME PLATE
FINISH/COLOR	NATURAL
DESCRIPTION	HANDLE BUMPER
MATERIAL	NATURAL/BLACK
FINISH/COLOR	
DESCRIPTION	SHAFT O-RING
MATERIAL	BUNA-N
FINISH/COLOR	

PART NUMBER: H3-60-**A** **LL**-0 **FF**

PADLOCK/SERIES:  
 1, 2 = COVERED IN J-H3-60-101-0 OR J-H3-60-101-1  
 3 = NO PADLOCK, ACTUATOR  
 4 = PADLOCK, ACTUATOR

LOCKING OPTIONS:  
 00 = NO LOCK PROVIDED (DIN ONLY)  
 01 = CH751  
 02 = 300  
 03 = 333  
 04 = NON LOCKING  
 05 = HL450  
 20 = NON LOCKING DIN WITH DETENT  
 21 = DIN CH751  
 22 = DIN 300  
 23 = DIN 333  
 24 = DIN W/O LOCK PLUG  
 40 = TOOL, 3mm DOUBLE BIT  
 41 = TOOL, 5mm DOUBLE BIT  
 42 = TOOL, TELCORDIA 216 (BELLCOORE)  
 43 = TOOL, ELECTRONICS KEY  
 47 = TOOL, 8mm TRIANGLE  
 70 = DIN TOOL, 3mm DOUBLE BIT  
 71 = DIN TOOL, 5mm DOUBLE BIT  
 72 = DIN TOOL, TELCORDIA 216  
 73 = DIN TOOL, ELECTRONICS KEY  
 77 = DIN TOOL, 8mm TRIANGLE

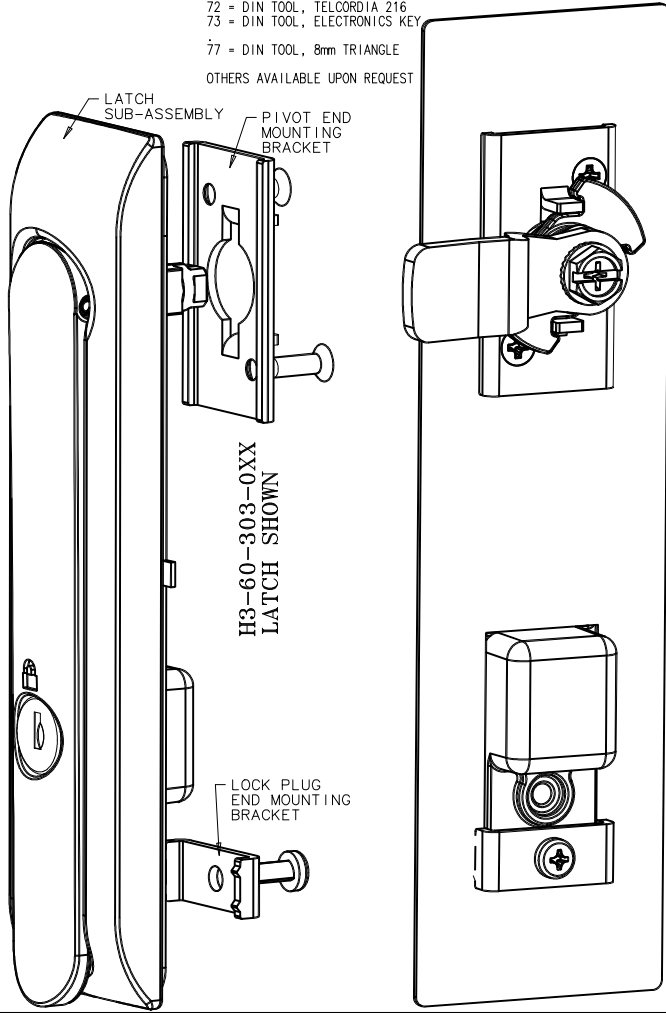
OTHERS AVAILABLE UPON REQUEST

ASSEMBLY FINISH:  
 44 = SATIN CHROME  
 50 = BLACK POWDER COAT  
 OTHERS AVAILABLE UPON REQUEST

GRIP TABLE  
 CAM  
 PART No. E5-61YY

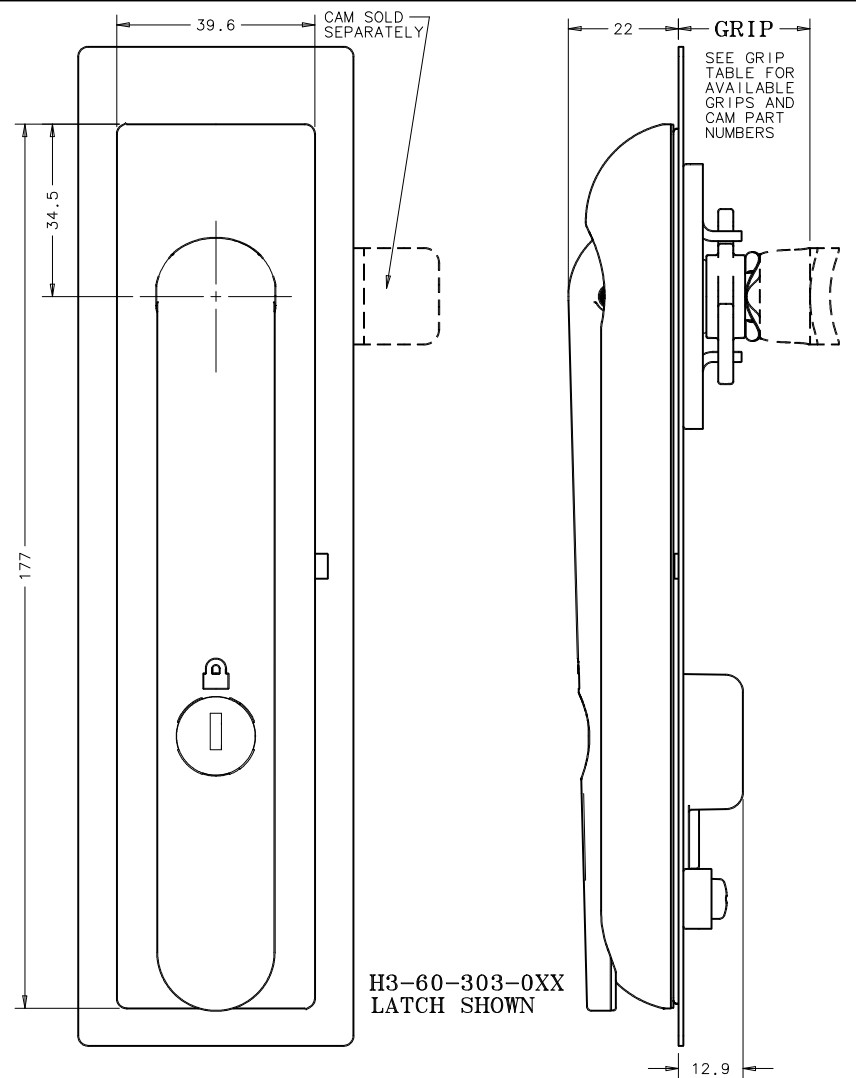
YY	GRIP	YY	GRIP
07	10.3	15	26.3
08	12.3	16	28.3
09	14.3	17	30.3
10	16.3	18	32.3
11	18.3	19	34.3
12	20.3	20	36.3
13	22.3	21	38.3
14	24.3	22	40.3

SEE J-E5-61-A (FLAT CAM)  
 SEE J-E5-71 (ROLLER CAM)

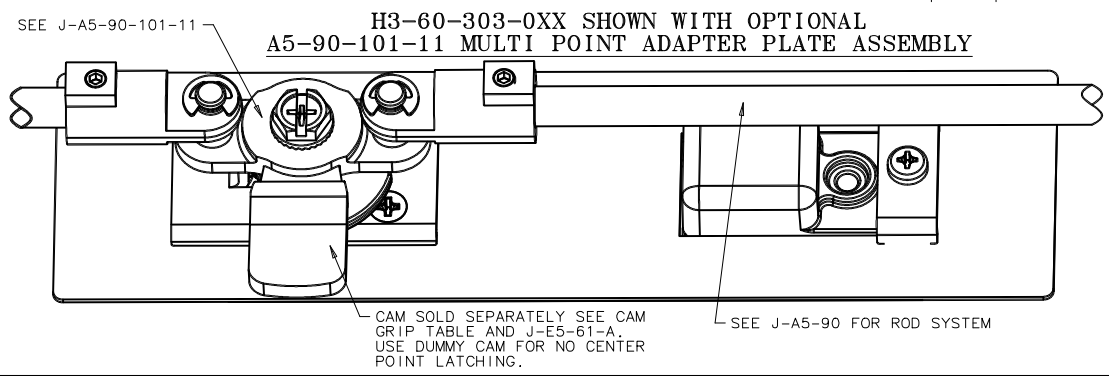


H3-60-303-0XX SHOWN AS A SINGLE POINT LATCH

SEE SHEET 2 FOR VIEWS OF DIN AND TOOL ACCESS VERSIONS



H3-60-303-0XX LATCH SHOWN



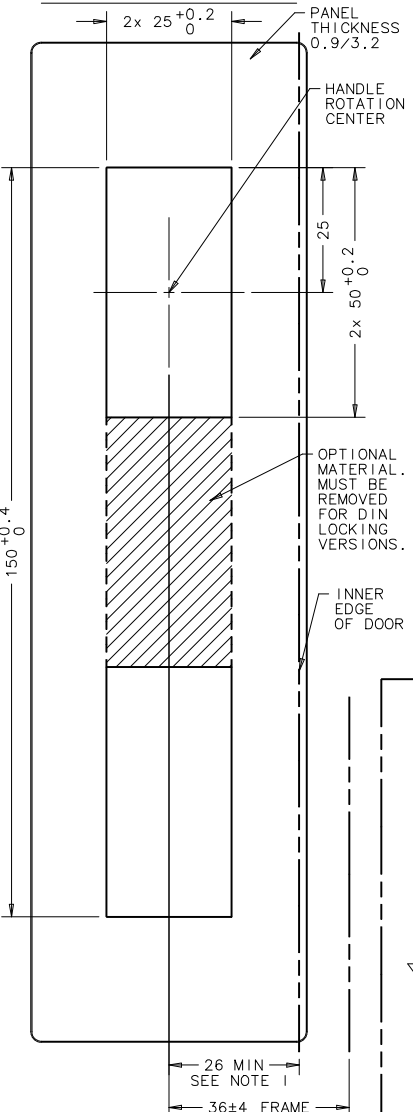
**southco**  
 PROPRIETARY ITEM - EXCEPT FOR USES EXPRESSLY GRANTED IN WRITING INFORMATION IS UNCLASSIFIED HEREON IS CONFIDENTIAL AND ALL RIGHTS RESERVED AND OTHERWISE ARE RESERVED BY SOUTHCO, INC.

DATE	DESCRIPTION	MATERIAL	FINISH/COLOR	DESCRIPTION	MATERIAL	FINISH/COLOR
03NOV2008	IR/DLH RELEASED FOR PRODUCTION			HANDLE	BLACK POWDERCOAT	
09 DEC 08	IR/ACH PRN: 2008-1345			HOUSING		
04 FEB 09	IR/ACH PRN: 2009-0162			TOOL ACTUATOR		
22AUG2011	MJS/MSR PRN: P2011-1073	ZAMAC 3	NATURAL	SHAFT		
23SEP2014	CMS/BGL PRN: P2014-1872			ROTATION LIMITER		
05OCT2018	CMS/CDW PRN: P2018-2534			LOCKING PANEL		
				LOCK PLUG		
				DIN LOCK ASSY		
				PANEL CASKET	SANTOPRENE	
				HANDLE BUMPER	BUNA-N	
				SHAFT O-RING		

DRAWING NUMBER	DRAWING CHKD	SCALE	DATE	FINISH/COLOR	DESCRIPTION	MATERIAL	FINISH/COLOR
J-H3-60-301-0	IR	ACH	26 JUN 08	DNS	STEEL	STEEL	ZINC PLATE
MILLIMETERS							PASSIVATED

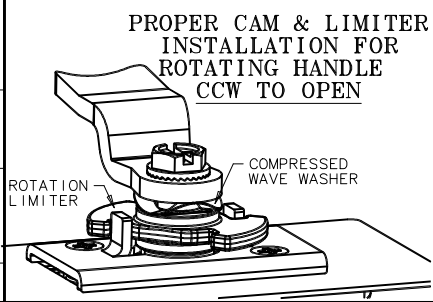
ALL DIMENSIONS WITHOUT TOLERANCES ARE FOR REFERENCE ONLY.  
 A3 PAPER SIZE  
 THIRD ANGLE PROJECTION  
**SHEET 2 OF 2**

**PANEL PREPARATION**



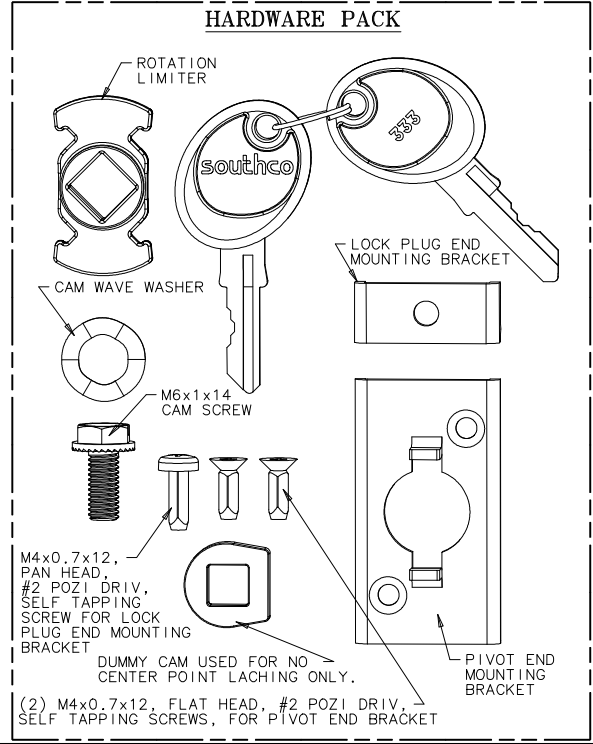
**NOTES:**

- ALL LATCH COMPONENTS ARE RoHS COMPLIANT.
- LATCH INSTALLATION:
  - PREPARE A BURR FREE PANEL OPENING AS SHOWN.
  - INSTALL LATCH SUB-ASSEMBLY FROM THE FRONT SIDE OF THE PANEL AND HOLD IN PLACE.
  - FROM THE BACK SIDE OF THE PANEL, SLIDE THE PIVOT END MOUNTING BRACKET ONTO THE HANDLE SHAFT.
  - SECURE THE PIVOT END MOUNTING BRACKET IN PLACE WITH THE TWO FLAT HEAD M4x0.7x12 SCREWS PROVIDED. ATTACH THE LOCK PLUG END MOUNTING BRACKET TO THE HOUSING AS SHOWN AND SECURE IN PLACE WITH PAN HEAD M4x0.7x12 SCREW. MAX MOUNTING BRACKET SCREW TORQUE 1.5 N-m.
  - PLACE THE ROTATION LIMITER ONTO THE HANDLE SHAFT. THE ROTATION LIMITER ALSO SETS THE ROTATION ACTUATION DIRECTION OF THE LATCH. TO FLIP ACTUATION DIRECTION, SIMPLY REMOVE THE ROTATION LIMITER FROM THE SHAFT, ROTATE IT 90°, AND PLACE BACK ONTO SHAFT.
  - PLACE SHAFT WAVE WASHER ONTO HANDLE SHAFT AGAINST THE TOP OF THE ROTATION LIMITER, FOLLOWED BY THE CAM, THEN THE ACTUATOR PLATE ASSEMBLY IF USED. SECURE EVERYTHING TO THE SHAFT USING M6x1x14 SCREW. MAX SCREW TORQUE 2.0 N-m.
  - CYCLE THE LATCH FROM OPEN TO CLOSE TO MAKE SURE EVERYTHING MOVES FREELY.
  - FOR TWO POINT LATCHING (NO CENTER LATCHING), A "DUMMY CAM" MUST BE USED TO MAINTAIN PROPER ASSEMBLY SPACING.
  - IF USED WITH SOUTHCO A5-90-101-11 ADAPTER PLATE ASSEMBLY.
- COSMETIC SPECIFICATION: ALL POWDERCOATED OR CHROME PLATED SURFACES, UNLESS OTHERWISE NOTED, ARE TO CONFORM TO A CLASS "B" DESIGNATION. ALL OTHER SURFACES, UNLESS OTHERWISE NOTED, ARE TO CONFORM TO A CLASS "C" DESIGNATION AS DESCRIBED IN SOUTHCO COSMETIC SPECIFICATIONS:
  - S-121-02 FOR CHROME PLATING
  - S-121-02 FOR ZINC PLATING
  - S-121-03 FOR POWDER COATING
  - S-121-05 FOR STAINLESS STEEL PARTS

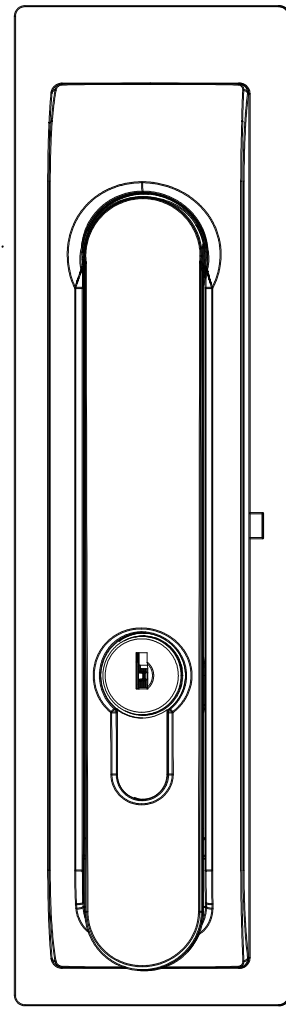


**PROPER CAM & LIMITER INSTALLATION FOR ROTATING HANDLE CCW TO OPEN**

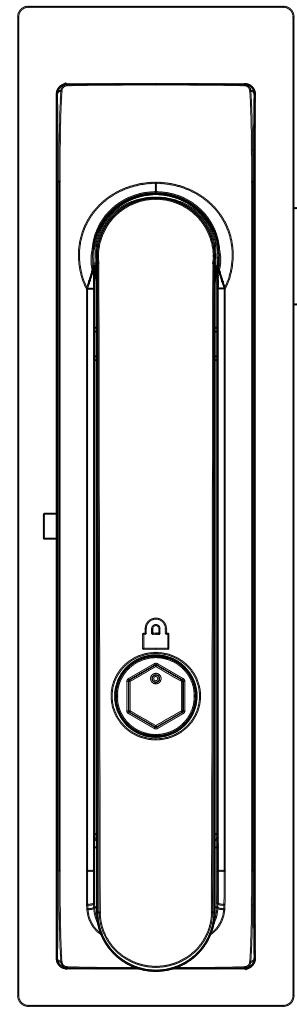
**HARDWARE PACK**



**H3-60-323-OXX  
333 DIN**



**H3-60-342-OXX  
BELLCORE/TELCORDIA 216**



**PROPER CAM, A5 ACTUATOR PLATE, & LIMITER INSTALLATION FOR ROTATING HANDLE CCW TO OPEN**

