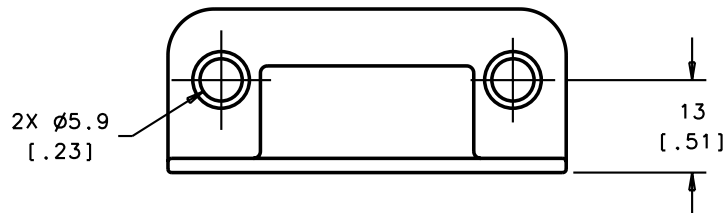
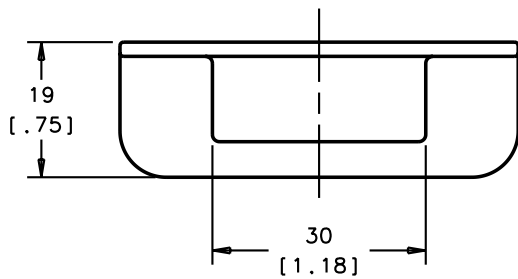
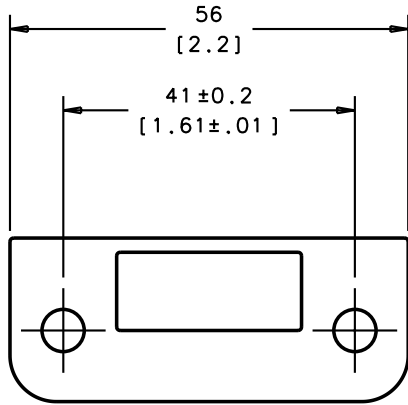
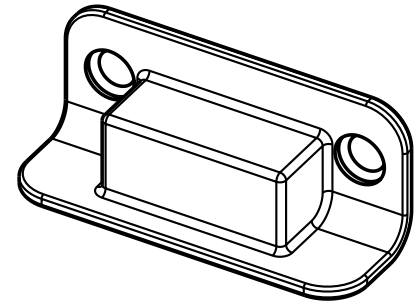


PROPRIETARY ITEM
 EXCEPT FOR USES EXPRESSLY GRANTED
 IN WRITING, INFORMATION DISCLOSED
 HEREON IS CONFIDENTIAL AND ALL
 RIGHTS, PATENT AND OTHERWISE,
 ARE RESERVED BY SOUTHCO, INC.



REVISION HISTORY

REV	DATE	DRAWN	CHECKED	DESCRIPTION
A	02APR2008	RLR	RLR	PRN: P2008-0351



NOTES:

A. MATERIAL AND FINISH:

CF-8M STAINLESS STEEL (NOMINAL CAST EQUIVALENT
 OF 316 STAINLESS STEEL), POLISHED.

M5-C-301-8	SEE NOTE A	SEE NOTE A		
PART NUMBER	MATERIAL	FINISH		
THIRD ANGLE PROJECTION				
ALL DIMENSIONS WITHOUT TOLERANCES ARE FOR REFERENCE ONLY	 CONNECT · CREATE · INNOVATE			
MILLIMETERS [IN]		SIZE A4	SYSTEM I-DEAS	DWG NO J-M5-C-301
DRWN/CHKD VSA/VGV	DATE 29MAR2008	SCALE 1:1	SHEET 1 OF 1	

TITLE
 90° RIM MOUNT STRIKER