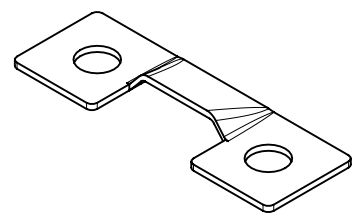
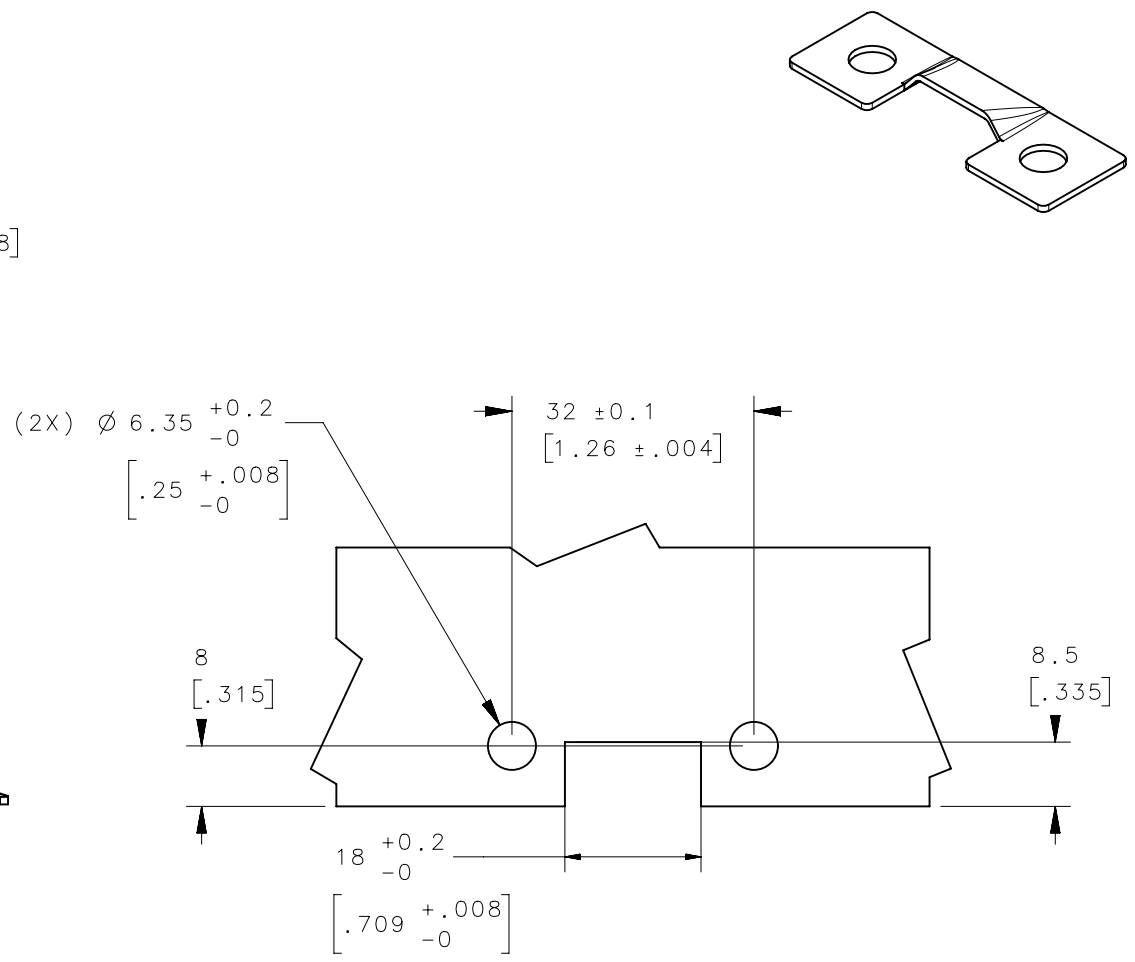
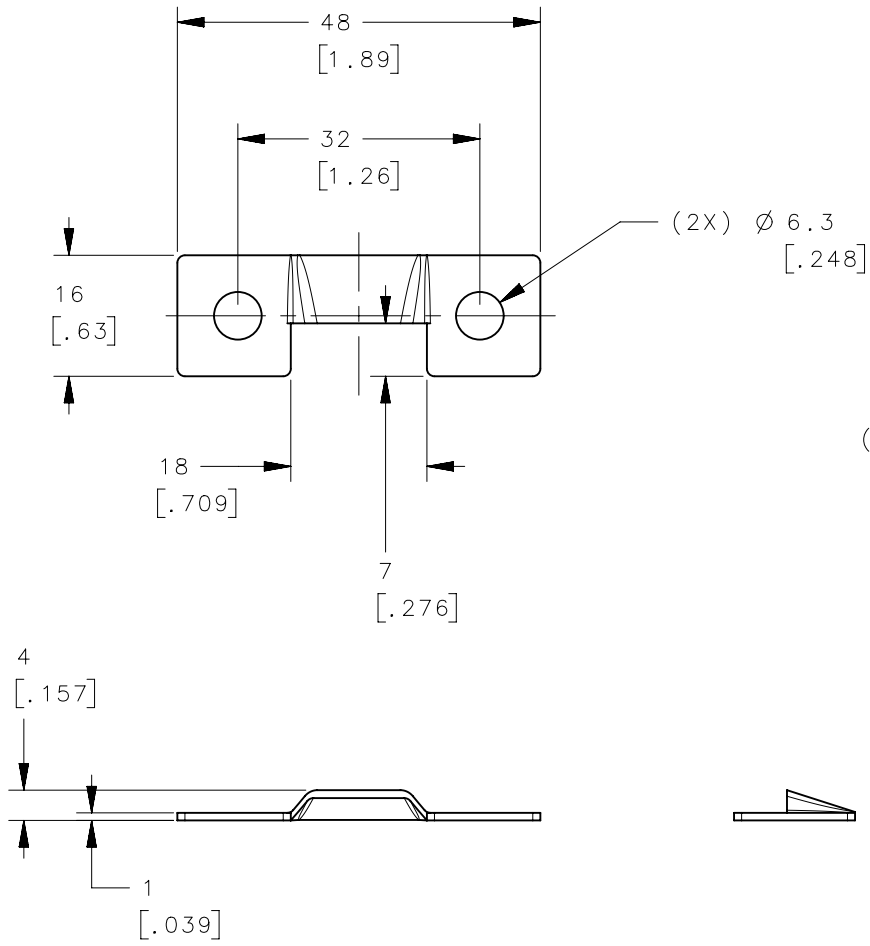
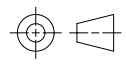


REVISION HISTORY			
REV	DATE	BY	DESCRIPTION
B	13DEC2018	RSK/CTG	PRN: P2018-2834



NOTES:
 A. PLATE FACE AND SIDE ARE POLISHED

M5-C-306-8	SS 316 / SS 304	SEE NOTE A	
PART NUMBER	MATERIAL	FINISH	
CPB NUMBER	 southco [®] CONNECT • CREATE • INNOVATE		
THIRD ANGLE PROJECTION			
MILLIMETERS [IN]			
TOLERANCES UNLESS OTHERWISE NOTED			
PROPRIETARY ITEM	DESCRIPTION 48X16 STRIKER		
EXCEPT FOR USES EXPRESSLY GRANTED IN WRITING, INFORMATION DISCLOSED HEREON IS CONFIDENTIAL AND ALL RIGHTS, PATENT AND OTHERWISE, ARE RESERVED BY SOUTHCO, INC.	SIZE A4	SYSTEM NX	DWG NO. J-M5-C-306
PER ASME Y14.5M-1994	DRAWN BY TM/GW	DATE 20JAN2008	SCALE 1:1 SHEET 1 OF 1