

REVISION HISTORY			
REV	DATE	BY	DESCRIPTION
D	09DEC2014	CMS/KH	PRN: P2014-2495

MATERIAL AND FINISH

LOCK MODULE

- LOCK CASE AND COVER PLATE: 316 STAINLESS STEEL.
 - INTERNAL COMPONENTS: 316 STAINLESS STEEL.
 - STAR LOCK PLUG: BRASS
 - SPRINGS: 316 STAINLESS STEEL.
 - SCREWS: 316 STAINLESS STEEL.
 - PRIVACY KNOB: BRASS, CHROME PLATED.
- KEY WAY: BRASS, CHROME PLATED

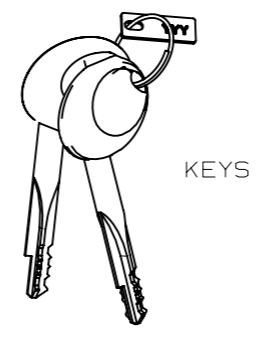
NOTES

1. FOR STRIKER OPTION SEE J-MG-03-300-24 AND J-MG-03-330-24.
2. NO MOUNTING HARDWARE INCLUDED.
3. FOR PANEL PREPERATION SEE J-MG-04-53C-FF, SHEET 2.
4. FOR STAR KEY SEE J-MM-97.

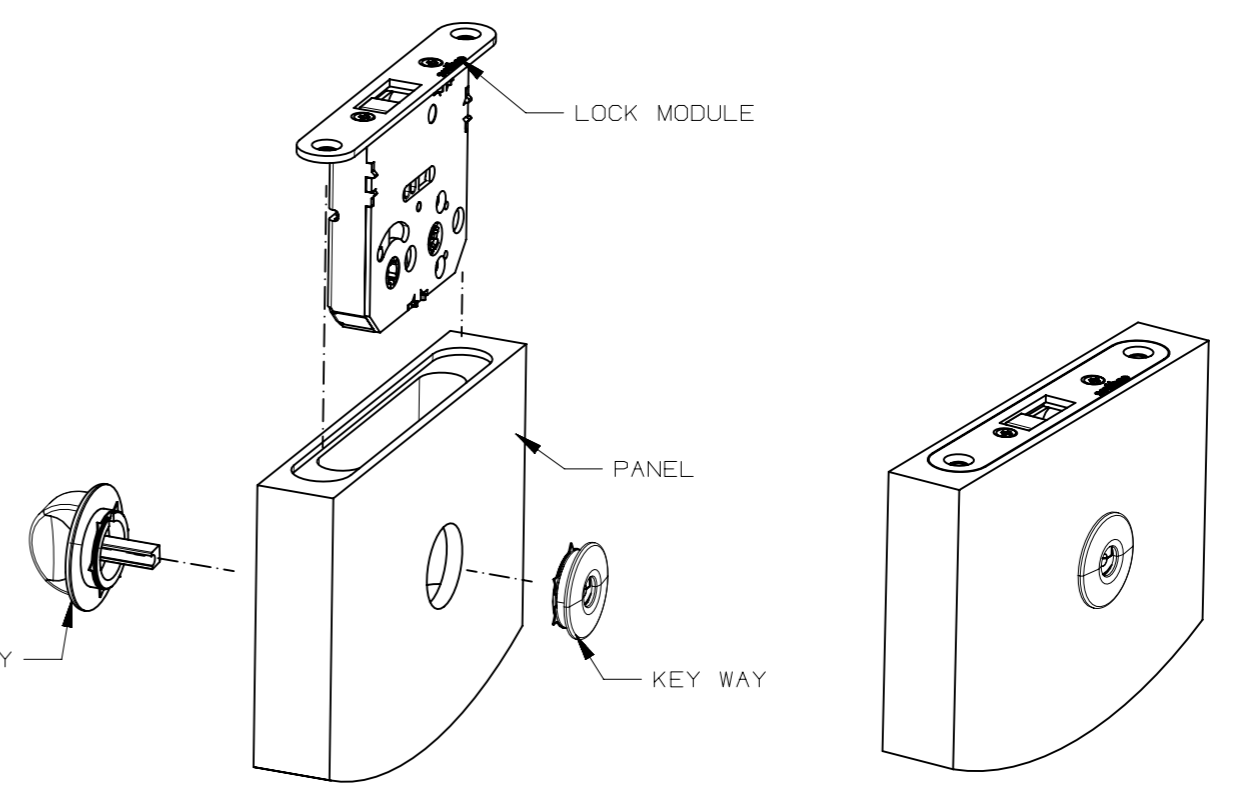
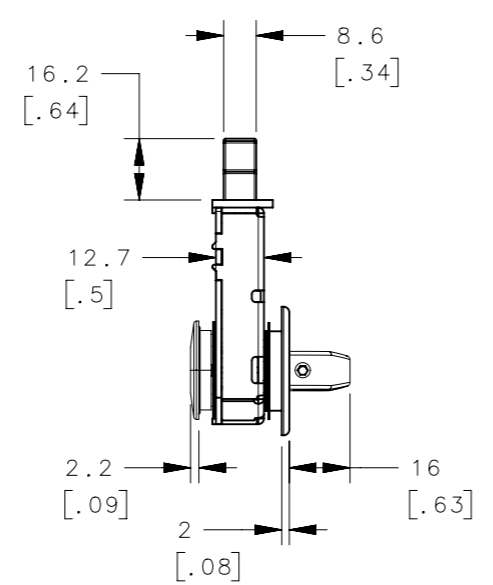
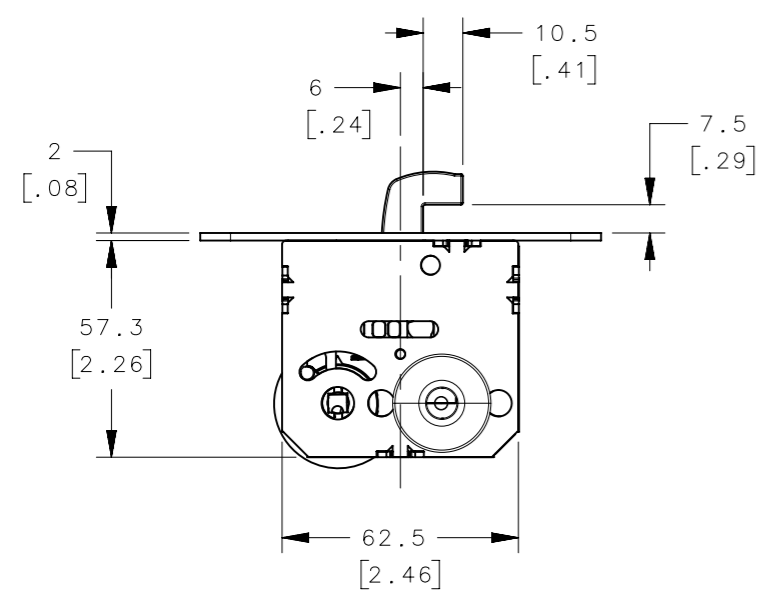
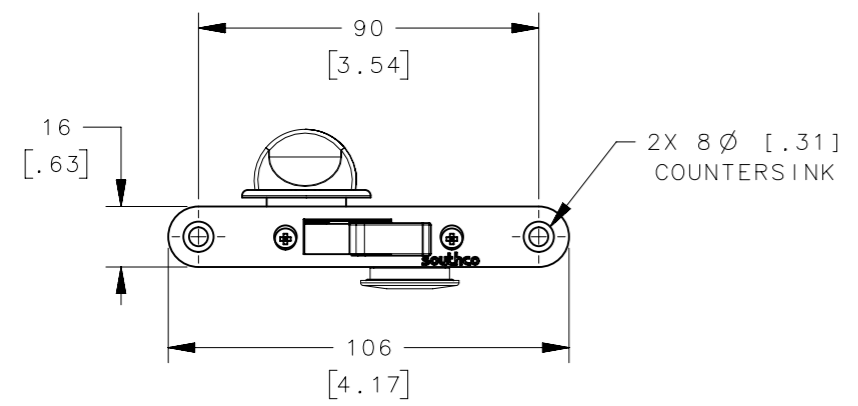
PART NUMBER SYSTEM
MG-04-53C-FF

DOOR THICKNESS [C3]
0 - 22-30mm [7/8" - 1 3/16"]
1 - 28-37mm [1 1/8" - 1 1/2"]
2 - 36.5-45mm [1 7/16" - 1 3/4"]

FINISH FOR PRIVACY AND ESCUTCHEONS [FF]
10 - CHROME
20 - SATIN CHROME
40 - DIAMOND BRASS

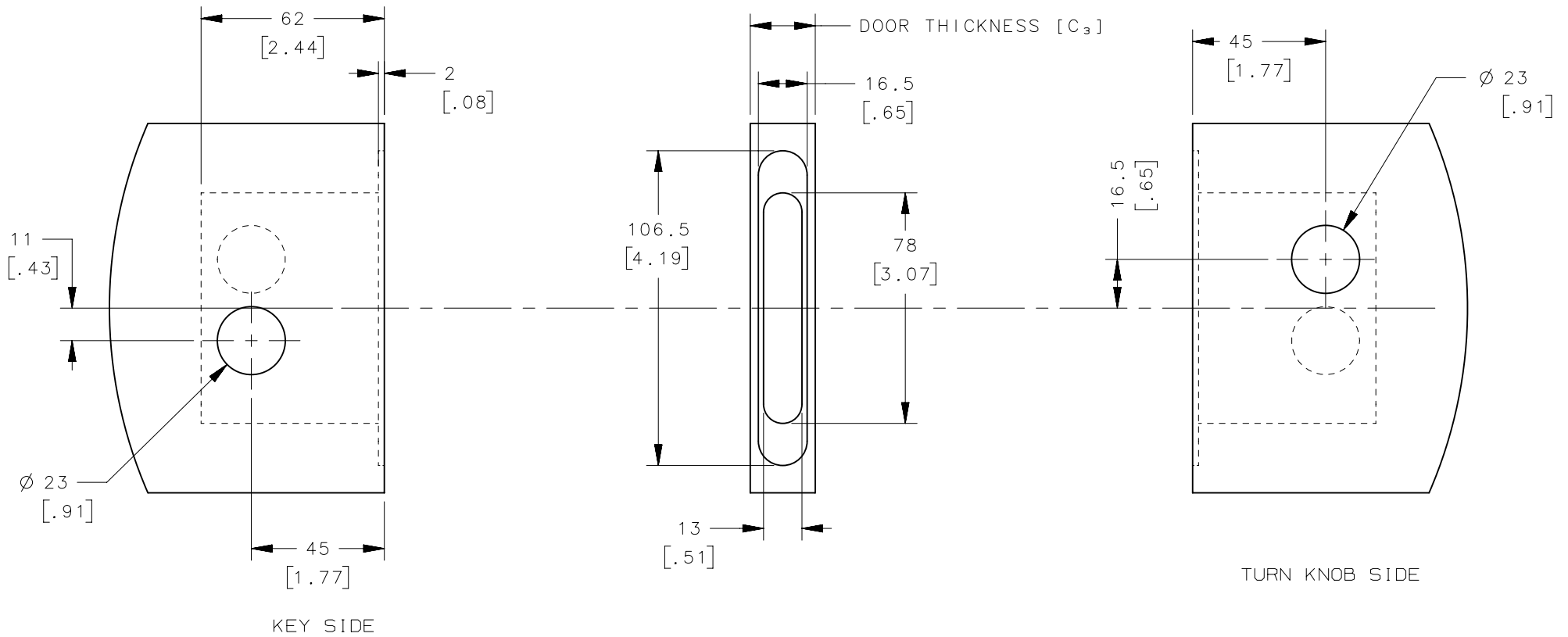


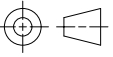

KEYS



THIRD ANGLE PROJECTION			
MILLIMETERS [IN]			
TOLERANCES UNLESS OTHERWISE NOTED		DESCRIPTION	
UP TO 0.5 ±0.05		SINGLE STAR-RIGHT	
OVER 0.5 UP TO 6 ±0.1		SIZE	SYSTEM
OVER 6 UP TO 30 ±0.2		A3	NX
OVER 30 ±0.3		DWG NO.	J-MG-04-53C-FF
ANGLES ±1°		DATE	27JUN2013
PER ASME Y14.5M-1994		SCALE	1:2
<small>PROPRIETARY ITEM EXCEPT FOR USES EXPRESSLY GRANTED IN WRITING, INFORMATION DISCLOSED HEREON IS CONFIDENTIAL AND ALL RIGHTS, PATENT AND OTHERWISE, ARE RESERVED BY SOUTHCO, INC.</small>		DRAWN BY	RFA/DTB
		SHEET	1 OF 2

REVISION HISTORY			
REV	DATE	BY	DESCRIPTION
D	09DEC2014	CMS/KH	PRN: P2014-2495



		THIRD ANGLE PROJECTION 		 CONNECT • CREATE • INNOVATE	
		MILLIMETERS [IN]			
		TOLERANCES UNLESS OTHERWISE NOTED		DESCRIPTION	
		UP TO 0.5 ±0.05		SINGLE STAR-RIGHT PANEL PREPERATION	
		OVER 0.5 UP TO 6 ±0.1			
		OVER 6 UP TO 30 ±0.2			
		OVER 30 ±0.3			
		ANGLES ±1°		SIZE	SYSTEM
<small>PROPRIETARY ITEM EXCEPT FOR USES EXPRESSLY GRANTED IN WRITING, INFORMATION DISCLOSED HEREON IS CONFIDENTIAL AND ALL RIGHTS, PATENT AND OTHERWISE, ARE RESERVED BY SOUTHCO, INC.</small>		PER ASME Y14.5M-1994		A4	NX
				DWG NO.	J-MG-04-53C-FF
		DATE	27JUN2013	SCALE	1:2
		DRAWN BY	RFA/DTB	SHEET	2 OF 2