

<b>southco</b>	PROPRIETARY ITEM - EXCEPT FOR USES EXPRESSLY GRANTED IN WRITING INFORMATION DISCLOSED HEREON IS CONFIDENTIAL AND ALL RIGHTS PATENT AND OTHERWISE ARE RESERVED BY SOUTHCO, INC.	TALON WITH KEY LOCKING	DATE	22OCT2009	DRAWN	MF	CHKD	HJ	SCALE	-	DRAWING NUMBER	J-MM-01-11C-YY
	REV	A	DATE	22OCT2009	DRAWN/CHKD	MF/HJ	DESCRIPTION	RELEASED FOR PRODUCTION	MILLIMETERS	ALL DIMENSIONS WITHOUT TOLERANCES ARE FOR REFERENCE ONLY.	A3 PAPER SIZE	THIRD ANGLE PROJECTION

**MATERIAL AND FINISH**

- ALL VERSIONS
- HANDLES AND PRIVACY KNOB; POM
  - SCREWS AND WASHERS, 316 STAINLESS STEEL
  - SPRINGS; 304 STAINLESS STEEL
  - MATCHBOW HOUSING AND PLUNGER; ALUMINIUM, NATURAL ANODIZED
  - MATCHBOX HOOKS AND STRIKER; BRASS, NICKEL PLATED
  - LOCK CYLINDER ASSEMBLY; PA12 GF, BRASS
- MM-01-10C-10 & MM-01-10C-40  
 - ESCUTCHEONS AND PLATE; BRASS, SEE TABLE FOR FINISH
- MM-01-10C-50 & MM-01-10C-60  
 - ESCUTCHEONS AND PLATE; ALUMINIUM, SEE TABLE FOR FINISH

**NOTES**

1. DOOR THICKNESS RANGE "C": 20.5 - 38mm [13/16" - 1-1/2"]
2. BACKSET (A)  
 - MIN 21mm [53/64"]  
 - MAX 38.5mm [1-33/64"]
3. FOR PANEL PREPARATION INSTRUCTIONS, SEE DRAWING NUMBER J-MM-01-11C-YY-2
4. SEE SOUTHCO MARINE HANDBOOK FOR MORE DETAILED INSTALLATION INSTRUCTIONS

**PART NUMBER SYSTEM**

MM-01-11C-YY

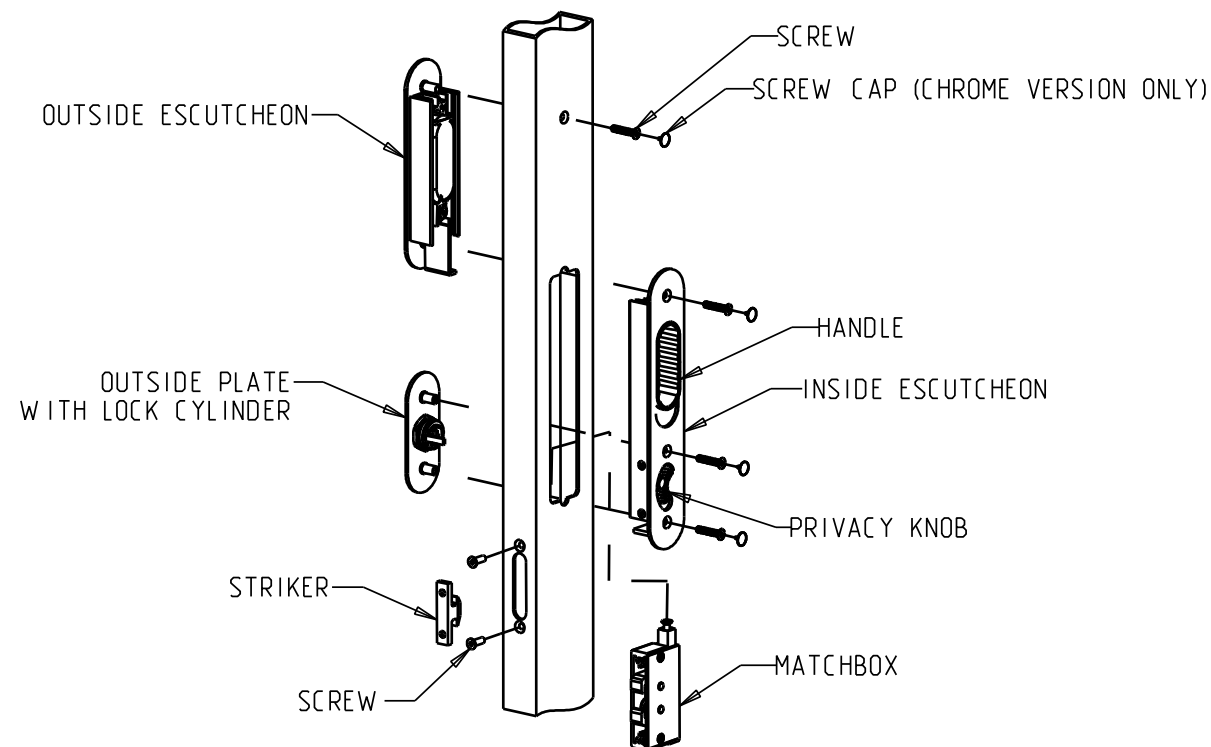
DOOR THICKNESS  
FINISH

**DOOR THICKNESS (C)**

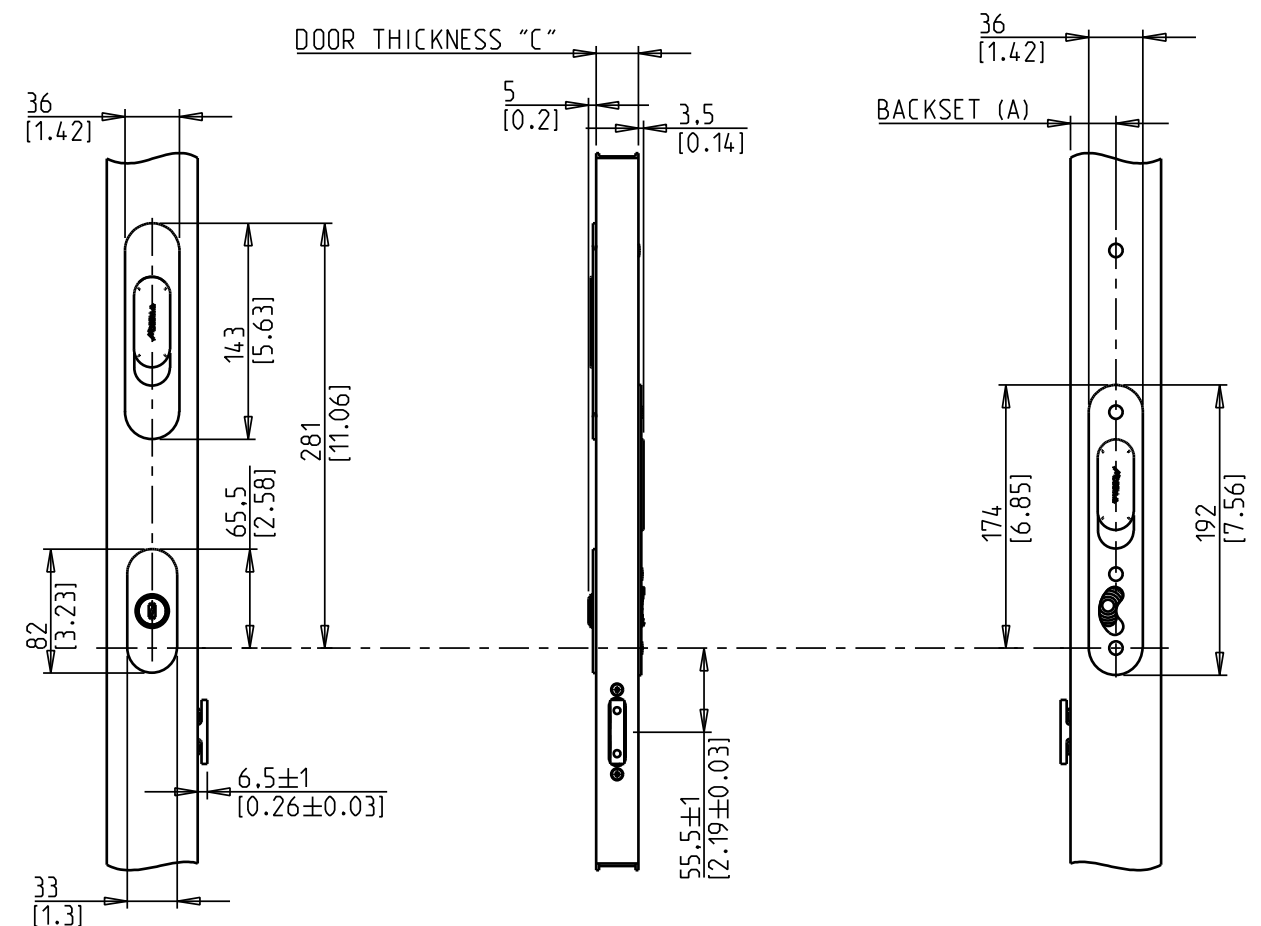
- 0 - 20.5 - 23mm [13/16" - 29/32"]
- 1 - 22.5 - 27mm [7/8" - 1-1/16"]
- 2 - 27 - 34.5mm [1-1/16" - 1-3/8"]
- 3 - 28.5 - 38mm [1-1/8" - 1-1/2"]

**FINISH FOR HANDLES AND ESCUTCHEONS (YY)**

- 10 - BRIGHT CHROME
- 40 - DIAMOND BRASS
- 50 - BACK POWDER COAT
- 60 - NATURAL ANODIZED ALUMINIUM



MILLIMETER [INCH]  
MILLIMETER [INCH]



**ASSEMBLIES**

ASSEMBLIES	PART NUMBER
MOUNTING TOOL STRIKER	MM-90-103-41
TOP STOP	MM-7520
RAMP TOP STOP	MM-90-201-60
HIGH SEAS HANDLE CHROME	MM-7660
HIGH SEAS HANDLE BLACK	MM-7683

