

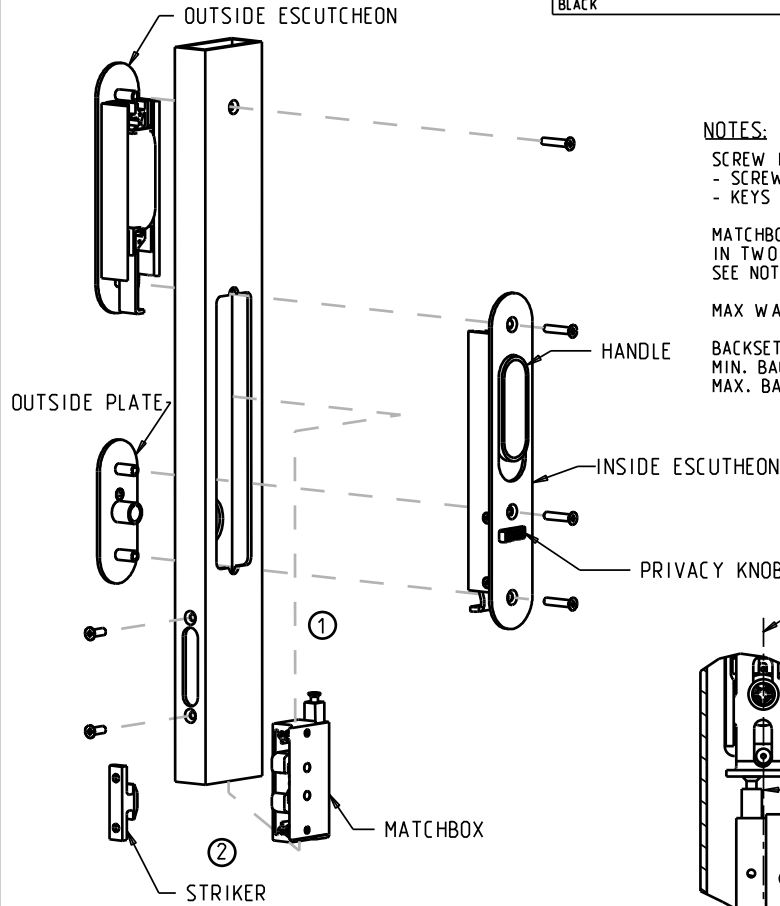
southco	DATE	16MAY2005	DA	STAR TALON ASSEMBLY	DRAWING NUMBER	J-MM-01
	REV	A	DESCRIPTION	RELEASED FOR PRODUCTION	SCALE	
PROPRIETARY ITEM - EXCEPT FOR USES REPRESENTED HEREIN, ALL DIMENSIONS AND TOLERANCES ARE FOR REFERENCE ONLY.						
ALL DIMENSIONS WITHOUT TOLERANCES ARE FOR REFERENCE ONLY.						
MILLIMETERS						
A3 PAPER SIZE						

MM [INCHES]
MM [INCHES]

FOR PANEL PREPARATION INSTRUCTIONS, SEE DRAWING NUMBER J-MM-01-1

DOOR THICKNESS RANGE (B)	20.5 - 23mm [0.8 - 0.9]	23 - 28.5mm [0.9 - 1.12]	28.5 - 33.5mm [1.12 - 1.32]	33.5 - 38mm [1.32 - 1.5]
STAR TALON STANDARD OPTION, CHROME	MM-01-130-10	MM-01-131-10	MM-01-132-10	MM-01-133-10
STAR TALON STANDARD OPTION, BLACK	MM-01-130-50	MM-01-131-50	MM-01-132-50	MM-01-133-50

ACCESSORIES	PART NUMBER
MOUNTING TOOL STRIKER	MM-90-103-41
TOP STOP	MM-7520
HIGH SEAS HANDLE CHROME	MM-7660
HIGH SEAS HANDLE BLACK	MM-7683
RAMP FOR TOP STOP	MM-90-201-60



NOTES:

SCREW KIT INCLUDES:
- SCREWS
- KEYS

MATCHBOX CAN BE INSTALLED IN TWO ALTERNATIVE WAYS. SEE NOTES 1, 2

MAX WALL THICKNESS 9.5mm [0.37 inch]

BACKSET (A):
MIN. BACKSET: 17mm [0.67 inch]
MAX. BACKSET: 38mm [1.5 inch]

MATERIAL AND FINISH:

ALL VERSIONS:

PRIVACY KNOB; BRASS, BRIGHT CHROME PLATED
MOUNTING SCREWS M4 POZIDRIVE; 316 STAINLESS STEEL.

WASHERS; NYLON, NATURAL

SPRINGS; 300 SERIES STAINLESS STEEL

HANDLES AND OTHER PLASTIC COMPONENTS; ACETAL, BLACK

MATCHBOX HOUSING AND PLUNGER; ALUMINUM, NATURAL ANODIZED

MATCHBOX HOOKS AND STRIKER; BRASS, NICKEL PLATED

MM-01-13X-10

ESCUTCHEONS AND OUTSIDE PLATE; BRASS, BRIGHT CHROME PLATED

MM-01-13X-50

ESCUTCHEONS AND OUTSIDE PLATE; ALUMINUM, BLACK ANODIZED

MATCHBOX DIMENSIONS

