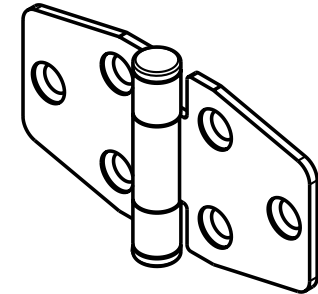
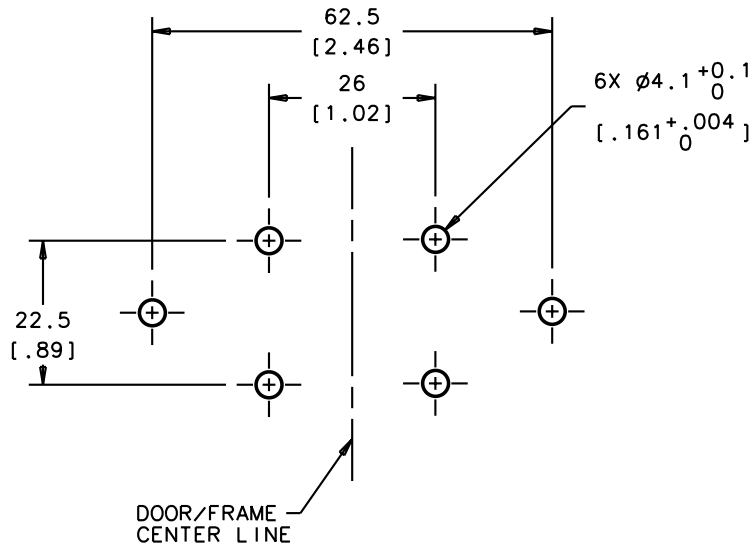
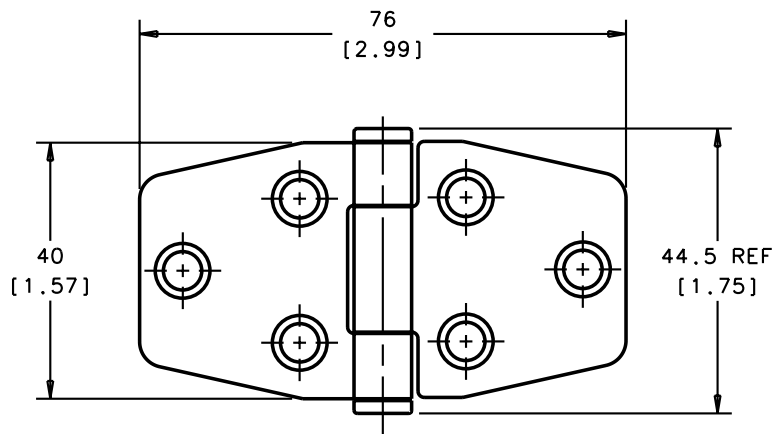
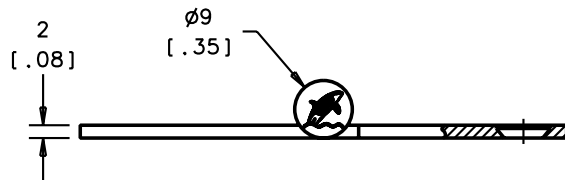


REVISION HISTORY			
REV	DATE	BY	DESCRIPTION



PANEL PREPARATION



NOTES:

- A. MATERIAL AND FINISH:
OUTER AND INNER LEAF, HINGE PIN - STAINLESS STEEL, POLISHED.
- B. DESIGNED TO ACCEPT M4 OR No.8 SCREW OR EQUIVALENT.
(NOT SUPPLIED).

HINGE ITEM	N6-5A-4V8-24 PART NUMBER	SEE NOTE A MATERIAL	SEE NOTE A FINISH	
	THIRD ANGLE PROJECTION	 CONNECT · CREATE · INNOVATE		
	MILLIMETERS [IN]			
	ALL DIMENSIONS WITHOUT TOLERANCES ARE FOR REFERENCE ONLY.	TITLE HINGE, STAMPED 40mm X 76mm		
PROPRIETARY ITEM EXCEPT FOR USES EXPRESSLY GRANTED IN WRITING, INFORMATION DISCLOSED HEREON IS CONFIDENTIAL AND ALL RIGHTS, PATENT AND OTHERWISE, ARE RESERVED BY SOUTHCO, INC.	PER ASME Y14.5M-1994	SIZE A4	SYSTEM IDEAS	DWG NO. J-N6-5A-4V8
		DRAWN BY RLR	DATE 20MAR2007	SCALE 1:1 SHEET 1 OF 1