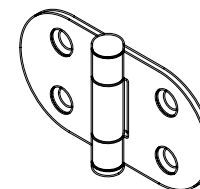
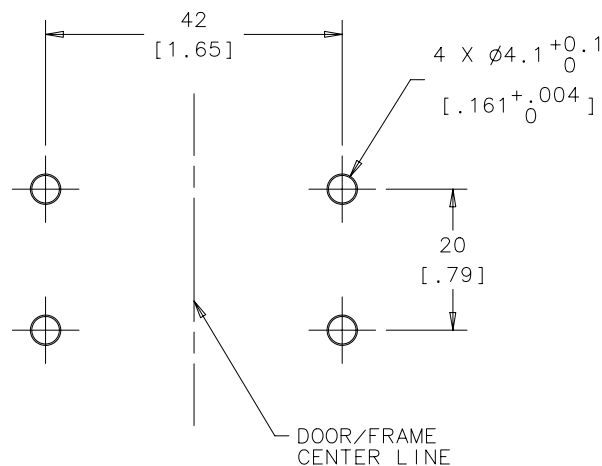
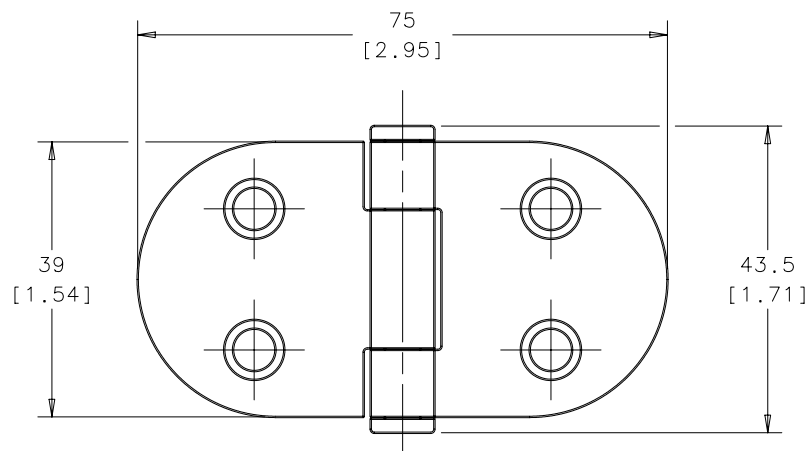


PROPRIETARY ITEM

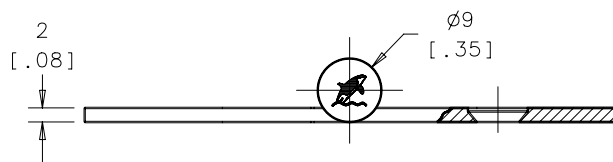
EXCEPT FOR USES EXPRESSLY GRANTED
IN WRITING, INFORMATION DISCLOSED
HEREON IS CONFIDENTIAL AND ALL
RIGHTS, PATENT AND OTHERWISE,
ARE RESERVED BY SOUTHCO, INC.

REVISION HISTORY

REV	DATE	DRAWN	CHECKED	DESCRIPTION



ISOMETRIC VIEW
SCALE 1:2



PANEL PREPARATION

NOTES:

- A. MATERIAL AND FINISH:
OUTER AND INNER LEAF, HINGE PIN - STAINLESS STEEL, POLISHED.
- B. DESIGNED TO ACCEPT M4 OR No.8 SCREW OR EQUIVALENT. (NOT SUPPLIED).

HINGE	N6-5A-4V8A1-24	SEE NOTE A	SEE NOTE A	
ITEM	PART NUMBER	MATERIAL	FINISH	
THIRD ANGLE PROJECTION		 CONNECT · CREATE · INNOVATE		
ALL DIMENSIONS WITHOUT TOLERANCES ARE FOR REFERENCE ONLY. PER ASME Y14.5M-1994				
MILLIMETERS [IN]		SIZE A4	SYSTEM I-DEAS	DWG NO. J-N6-5A-4V8A1
VOLUME	MASS	DRWN/CHKD VMV/VGV	DATE 05MAR2007	SCALE 1:1 SHEET 1 OF 1