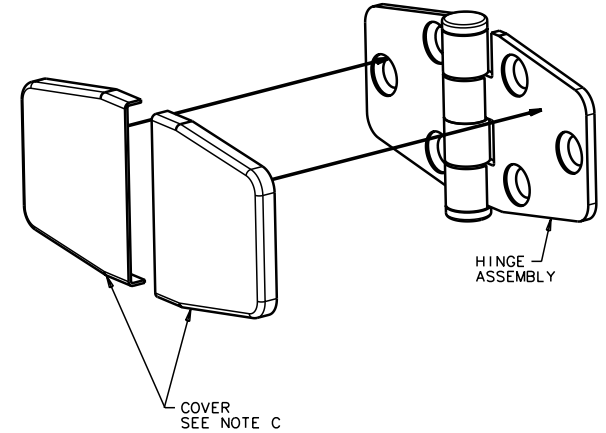
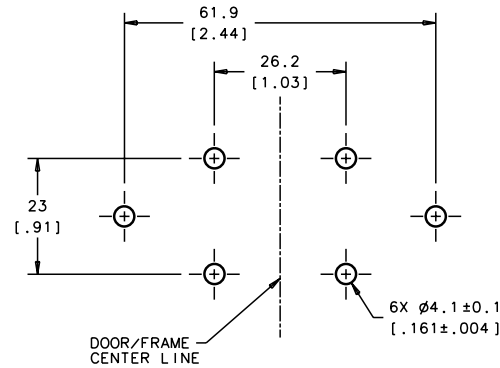
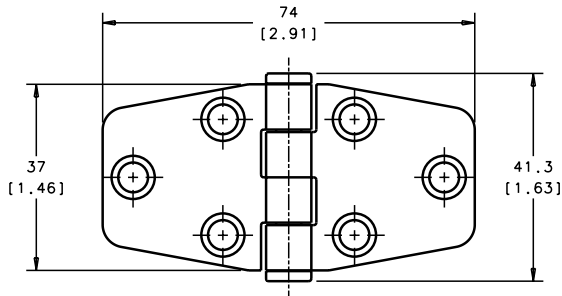
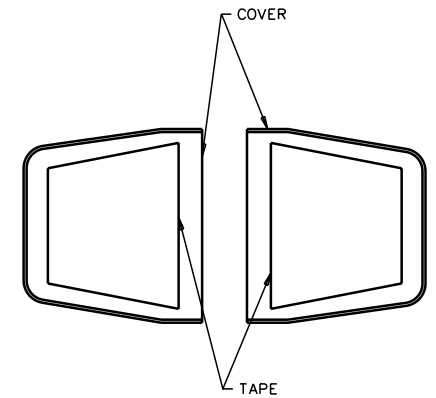
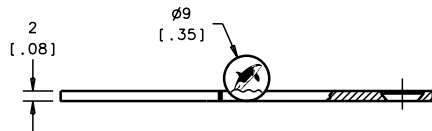


REVISION HISTORY			
REV	DATE	BY	DESCRIPTION



PANEL PREPARATION



NOTES:

- A. MATERIAL AND FINISH:  
 OUTER AND INNER LEAF, COVER - 316 STAINLESS STEEL, POLISHED.  
 PIN - 304 STAINLESS STEEL.
- B. DESIGNED TO ACCEPT M4 OR No.8 SCREW OR EQUIVALENT. (NOT SUPPLIED).
- C. SECURE COVERS USING ATTACHED ADHESIVE TAPE.

HINGE ITEM	N6-5A-4VC7-24 PART NUMBER	SEE NOTE A MATERIAL	SEE NOTE A FINISH
THIRD ANGLE PROJECTION		 CONNECT CREATE INNOVATE	
MILLIMETERS [ IN ]			
ALL DIMENSIONS WITHOUT TOLERANCES ARE FOR REFERENCE ONLY.		TITLE COVERED STAMPED HINGE	
<small>PROPRIETARY ITEM EXCEPT FOR USES EXPRESSLY GRANTED IN WRITING. INFORMATION DISCLOSED HEREON IS CONFIDENTIAL AND ALL RIGHTS, PATENT AND OTHERWISE, ARE RESERVED BY SOUTHCO, INC.</small>		SIZE A3 SYSTEM IDEAS	DWG NO. J-N6-5A-4VC7
PER ASME Y14.5M-1994		DRAWN BY RLR	DATE 30APR2007 SCALE 1:1 SHEET 1 OF 1