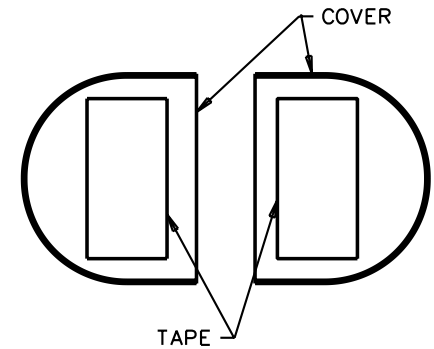
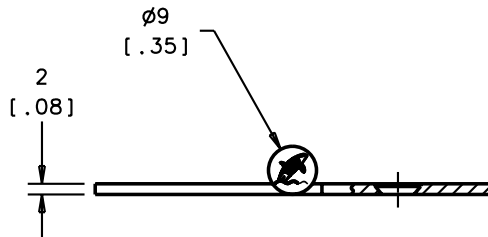
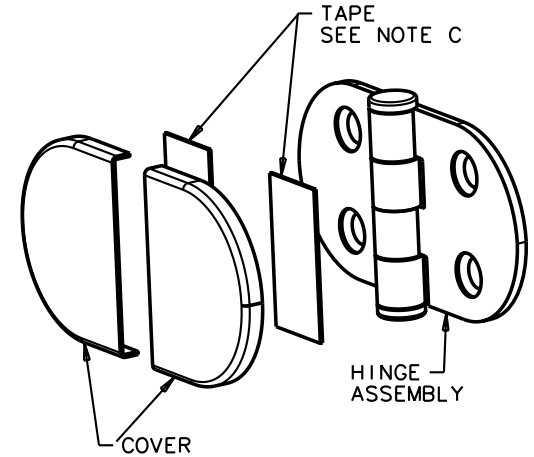
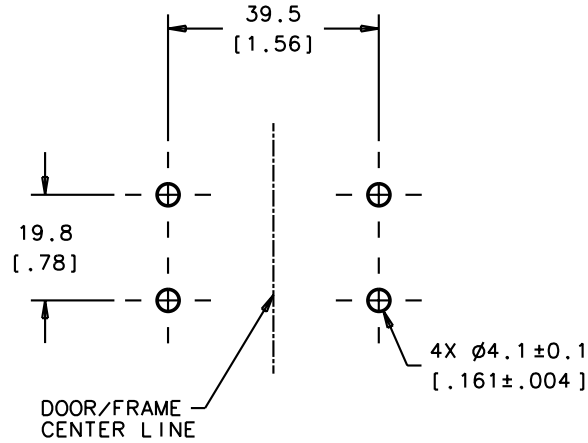
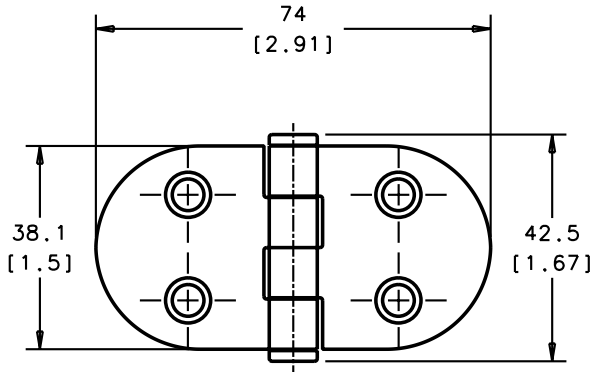


REVISION HISTORY			
REV	DATE	BY	DESCRIPTION



NOTES:

- A. MATERIAL AND FINISH:
LEAF AND COVER - 316 STAINLESS STEEL, POLISHED
HINGE PIN - 304 STAINLESS STEEL, POLISHED
- B. DESIGNED TO ACCEPT M4 OR No.8 SCREW OR EQUIVALENT. NOT SUPPLIED
- C. SECURE COVERS USING ATTACHED ADHESIVE TAPE.

HINGE	N6-5A-4VC8A1-24	SEE NOTE A	SEE NOTE A		
ITEM	PART NUMBER	MATERIAL	FINISH		
	THIRD ANGLE PROJECTION				
	MILLIMETERS [IN]				
	ALL DIMENSIONS WITHOUT TOLERANCES ARE FOR REFERENCE ONLY.	southco [®] CONNECT · CREATE · INNOVATE			
	PROPRIETARY ITEM EXCEPT FOR USES EXPRESSLY GRANTED IN WRITING, INFORMATION DISCLOSED HEREON IS CONFIDENTIAL AND ALL RIGHTS, PATENT AND OTHERWISE ARE RESERVED BY SOUTHCO, INC.	TITLE COVERED OVAL HINGE, STAMPED			
	PER ASME Y14.5M-1994	SIZE A4	SYSTEM IDEAS	DWG NO. J-N6-5A-4VC8A1	
		DRAWN BY RLR	DATE 07JUN2007	SCALE .5:1	SHEET 1 OF 1