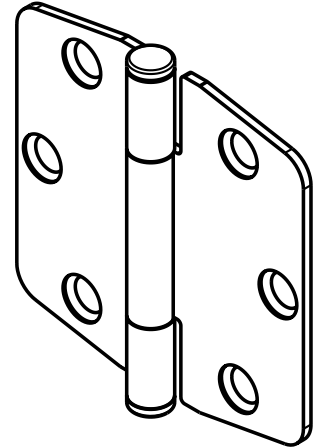
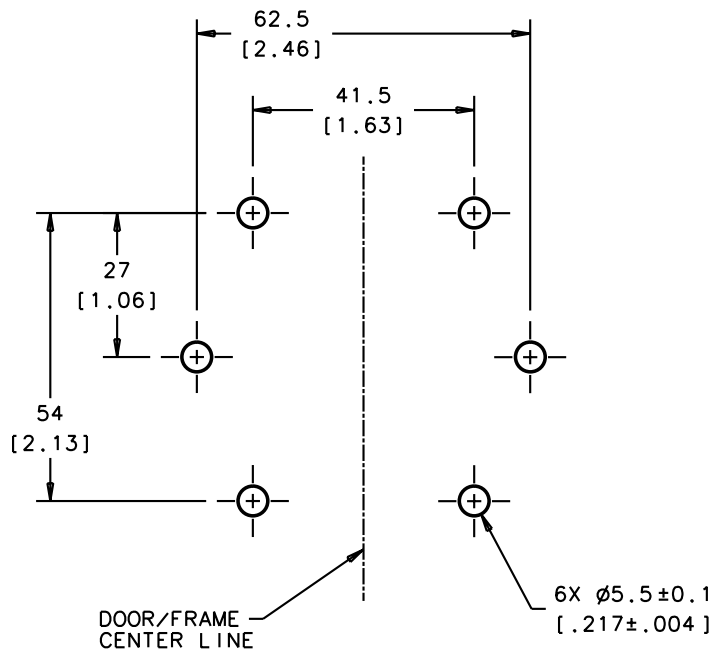
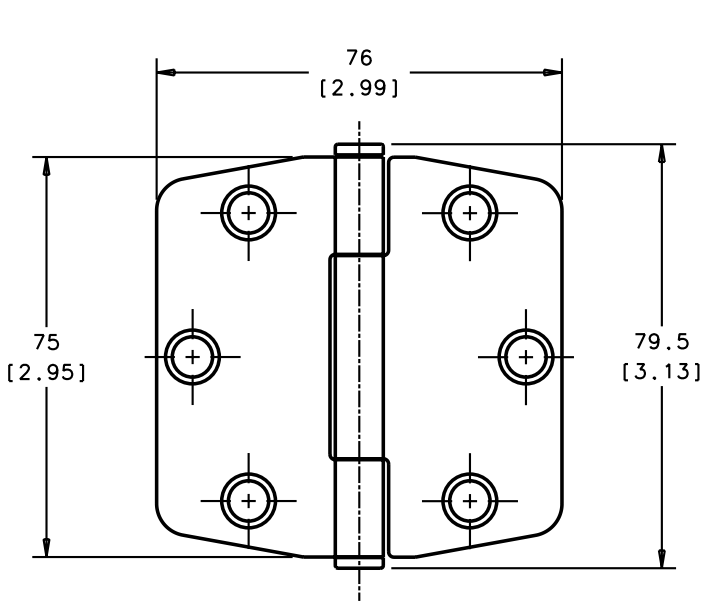
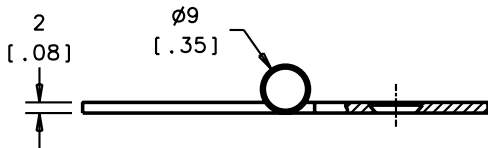


REVISION HISTORY			
REV	DATE	BY	DESCRIPTION



PANEL PREPARATION



NOTES:

- A. MATERIAL AND FINISH:  
OUTER AND INNER LEAF, HINGE PIN - STAINLESS STEEL, POLISHED.
- B. DESIGNED TO ACCEPT M5 OR No.10 SCREW OR EQUIVALENT. (NOT SUPPLIED).

HINGE ITEM	N6-5A-8V8-24 PART NUMBER	SEE NOTE A MATERIAL	SEE NOTE A FINISH
THIRD ANGLE PROJECTION		 CONNECT · CREATE · INNOVATE	
MILLIMETERS [ IN ]			
ALL DIMENSIONS WITHOUT TOLERANCES ARE FOR REFERENCE ONLY.		TITLE HINGE, STAMPED 75mm X 76mm	
<small>PROPRIETARY ITEM EXCEPT FOR USES EXPRESSLY GRANTED IN WRITING, INFORMATION DISCLOSED HEREON IS CONFIDENTIAL AND ALL RIGHTS, PATENT AND OTHERWISE, ARE RESERVED BY SOUTHCO, INC.</small>		SIZE A4	SYSTEM IDEAS DWG NO. J-N6-5A-8V8
PER ASME Y14.5M-1994		DRAWN BY RLR	DATE 02APR2007 SCALE .75:1 SHEET 1 OF 1