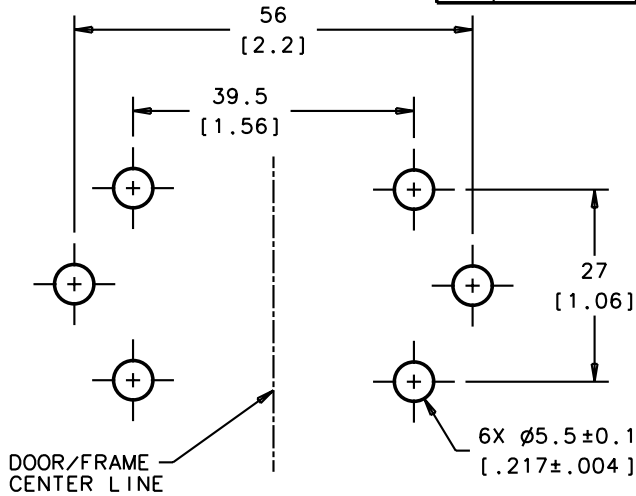
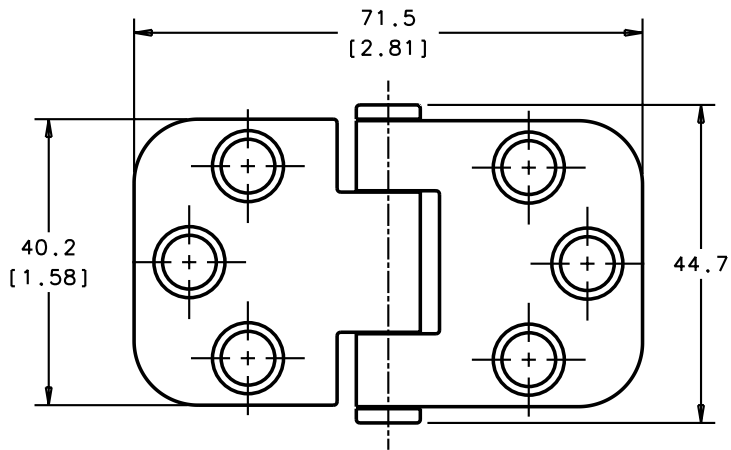
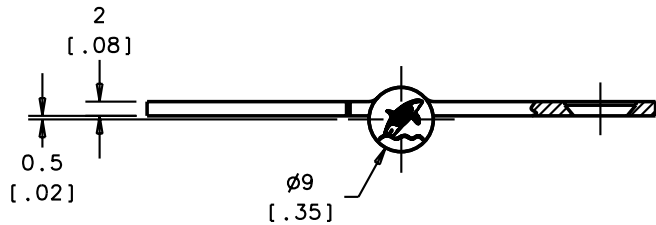
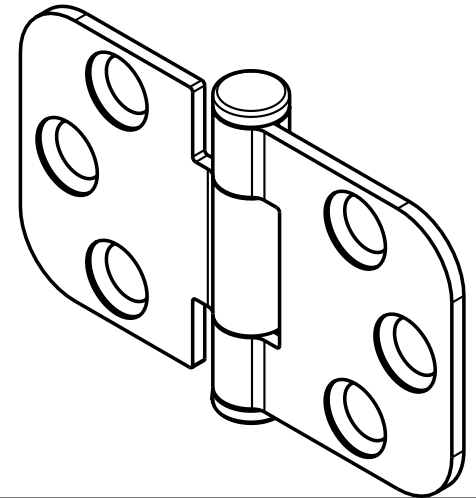


REVISION HISTORY			
REV	DATE	BY	DESCRIPTION



PANEL PREPARATION



NOTES:

- A. MATERIAL AND FINISH:
OUTER AND INNER LEAF, HINGE PIN - 304 STAINLESS STEEL, POLISHED.
- B. DESIGNED TO ACCEPT M5 OR No.10 SCREW OR EQUIVALENT. (NOT SUPPLIED).

HINGE	N6-5AF-4V7A1-24	SEE NOTE A	SEE NOTE A	
ITEM	PART NUMBER	MATERIAL	FINISH	
	THIRD ANGLE PROJECTION	 CONNECT · CREATE · INNOVATE		
	MILLIMETERS [IN]			
	ALL DIMENSIONS WITHOUT TOLERANCES ARE FOR REFERENCE ONLY.	TITLE FLUSH HINGE, STAMP 40.2mm X 71.5mm		
	PROPRIETARY ITEM EXCEPT FOR USES EXPRESSLY GRANTED IN WRITING, INFORMATION DISCLOSED HEREON IS CONFIDENTIAL AND ALL RIGHTS, PATENT AND OTHERWISE, ARE RESERVED BY SOUTHCO, INC.	SIZE A4	SYSTEM IDEAS	DWG NO. J-N6-5AF-4V7A1
	PER ASME Y14.5M-1994	DRAWN BY RLR	DATE 20APR2007	SCALE 1:1 SHEET 1 OF 1