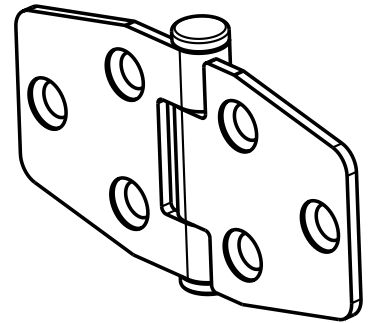
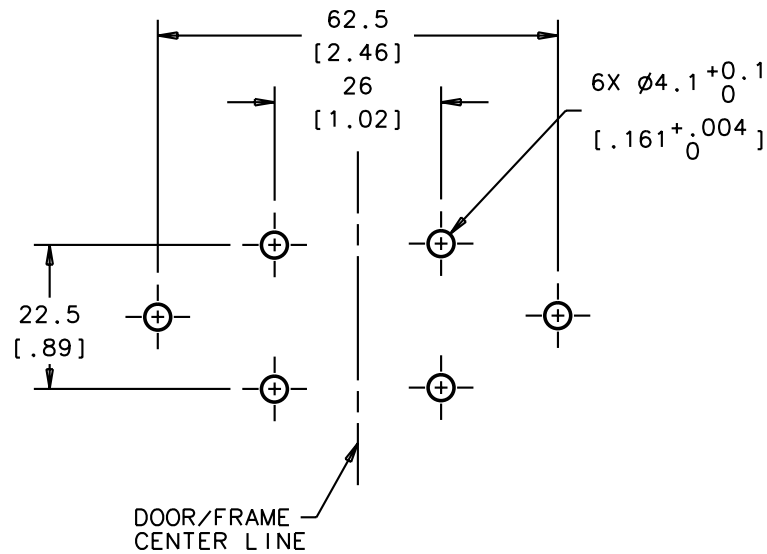
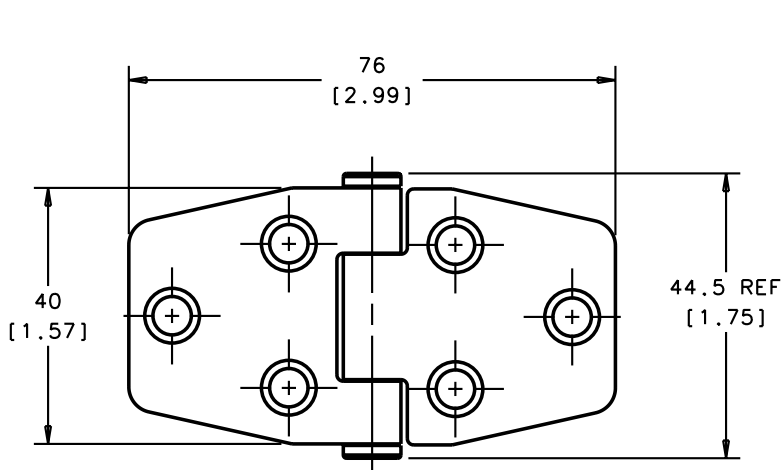
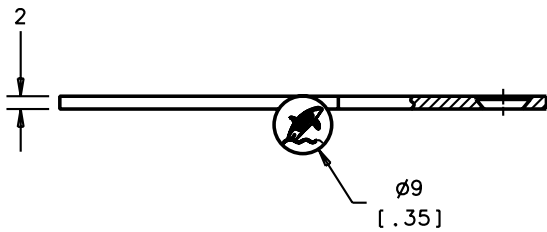


REVISION HISTORY			
REV	DATE	BY	DESCRIPTION



PANEL PREPARATION



NOTES:

- A. MATERIAL AND FINISH:
OUTER AND INNER LEAF, HINGE PIN - STAINLESS STEEL, POLISHED.
- B. DESIGNED TO ACCEPT M4 OR No.8 SCREW OR EQUIVALENT. (NOT SUPPLIED).

HINGE	N6-5AF-4V8-24	SEE NOTE A	SEE NOTE A	
ITEM	PART NUMBER	MATERIAL	FINISH	
	THIRD ANGLE PROJECTION	southco [®] CONNECT · CREATE · INNOVATE		
	MILLIMETERS [IN]			
	ALL DIMENSIONS WITHOUT TOLERANCES ARE FOR REFERENCE ONLY.	TITLE HINGE, STAMPED FLUSH 40mm X 76mm		
PROPRIETARY ITEM <small>EXCEPT FOR USES EXPRESSLY GRANTED IN WRITING, INFORMATION DISCLOSED HEREON IS CONFIDENTIAL AND ALL RIGHTS, PATENT AND OTHERWISE, ARE RESERVED BY SOUTHCO, INC.</small>	PER ASME Y14.5M-1994	SIZE A4	SYSTEM IDEAS	DWG NO. J-N6-5AF-4V8
		DRAWN BY RLR	DATE 20MAR2007	SCALE 1:1
				SHEET 1 OF 1