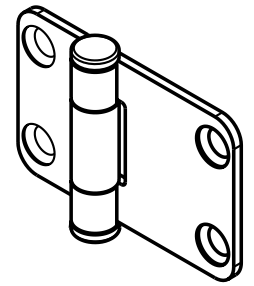
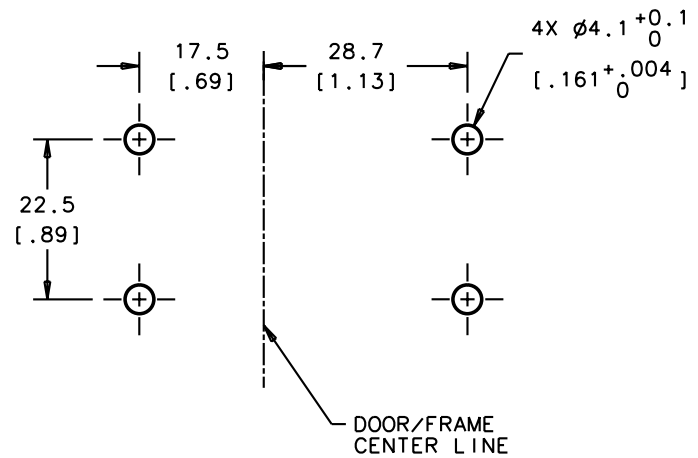
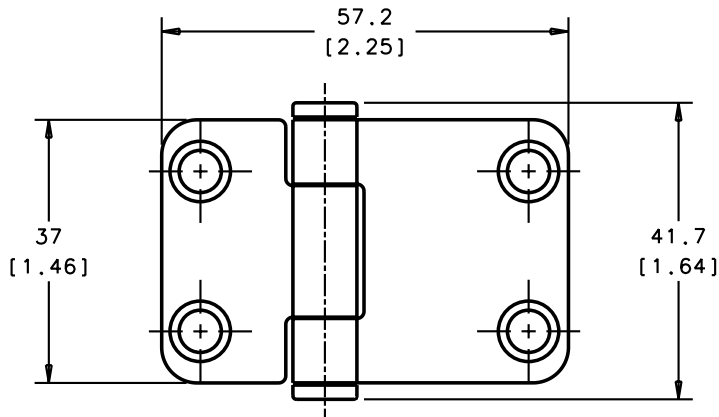
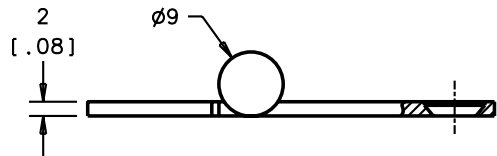


REVISION HISTORY			
REV	DATE	BY	DESCRIPTION



PANEL PREPARATION



- NOTES:
- A. MATERIAL AND FINISH:
OUTER AND INNER LEAF, HINGE PIN - STAINLESS STEEL, POLISHED.
 - B. DESIGNED TO ACCEPT M4 OR No.8 SCREW OR EQUIVALENT. (NOT SUPPLIED).

HINGE ITEM	N6-5C-4V6A2-24 PART NUMBER	SEE NOTE A MATERIAL	SEE NOTE A FINISH	
	THIRD ANGLE PROJECTION	 CONNECT · CREATE · INNOVATE		
	MILLIMETERS [IN]			
	ALL DIMENSIONS WITHOUT TOLERANCES ARE FOR REFERENCE ONLY.	TITLE HINGE, STAMPED 37mm X 57.2mm		
	PROPRIETARY ITEM EXCEPT FOR USES EXPRESSLY GRANTED IN WRITING, INFORMATION DISCLOSED HEREON IS CONFIDENTIAL AND ALL RIGHTS, PATENT AND OTHERWISE, ARE RESERVED BY SOUTHCO, INC.	SIZE A4	SYSTEM IDEAS	DWG NO. J-N6-5C-4V6A2
	PER ASME Y14.5M-1994	DRAWN BY RLR	DATE 28MAR2007	SCALE 1:1 SHEET 1 OF 1