

R4-30-1 I -70 B-M

REVISION HISTORY			
REV	DATE	BY	DESCRIPTION
D	30MAR2021	SAK/DMS	PRN: P2024-0342

I MOUNTING OPTION

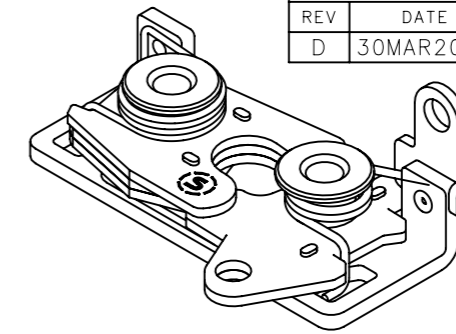
- 0 6.7 mm THRU HOLE
- 1 1/4-20 THREAD
- 2 M6 THREAD

B LATCHING

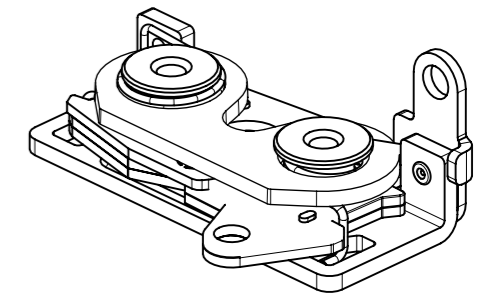
- 1 STANDARD
- 5 INTEGRATED BUMPER

M MATERIAL

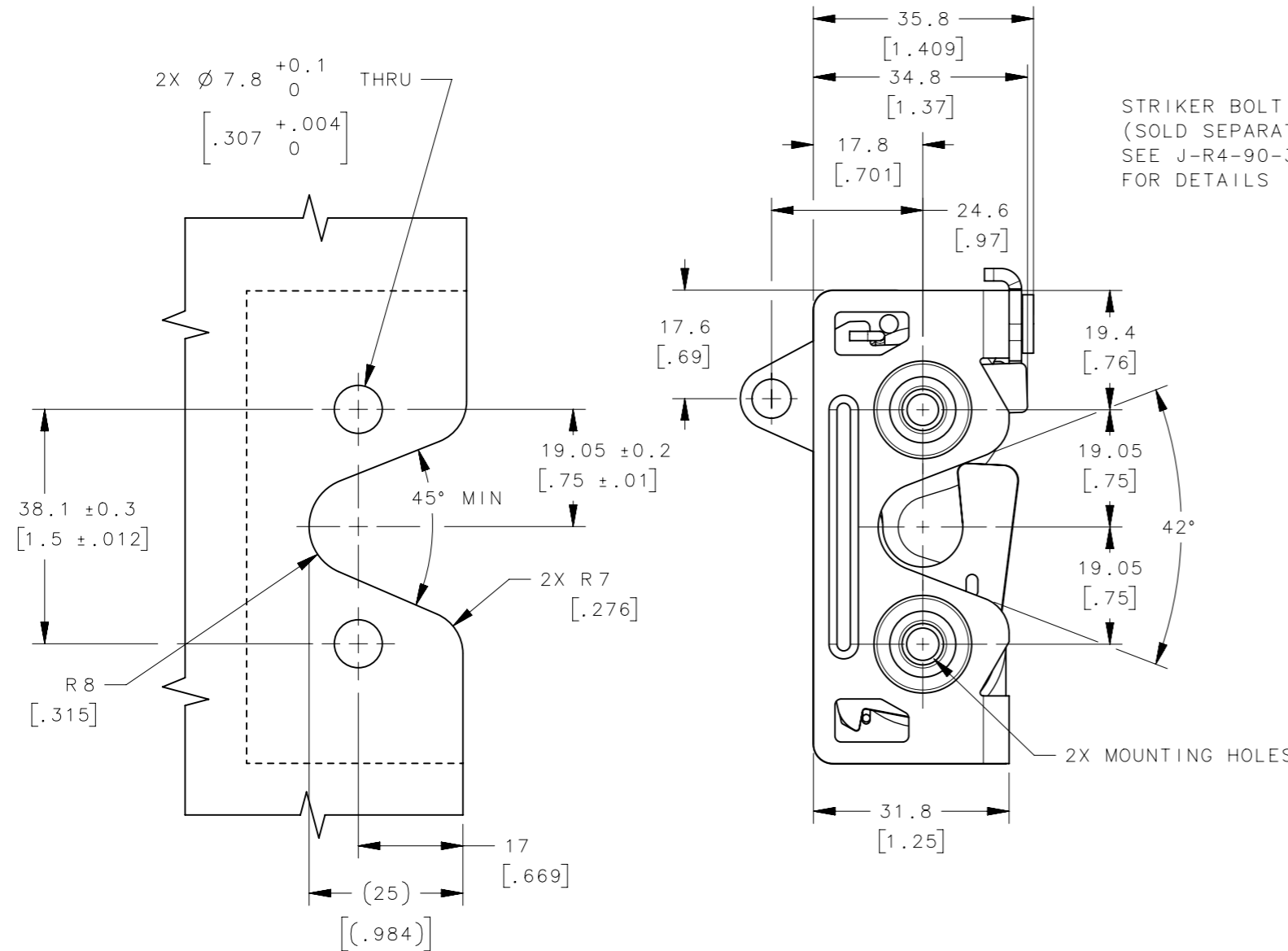
- 10 STEEL, ZINC PLATED
- 15 STEEL, BLACK ZINC NICKEL PLATED
- 77 STEEL, ZINC NICKEL PLATED



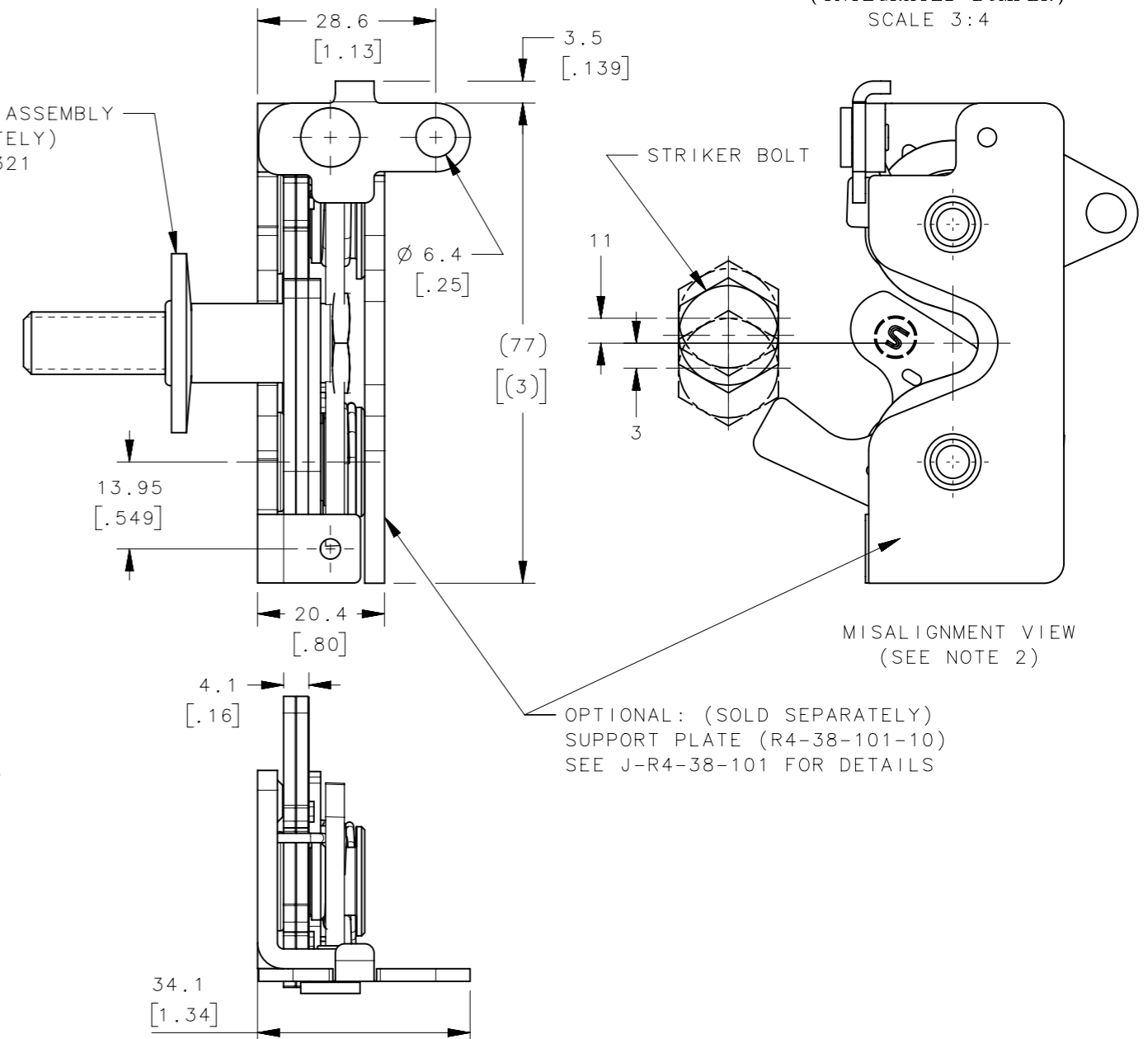
R4-30-31-701-M
(STANDARD)
SCALE 3:4



R4-30-31-705-M
(INTEGRATED BUMPER)
SCALE 3:4



STRIKER BOLT ASSEMBLY
(SOLD SEPARATELY)
SEE J-R4-90-321
FOR DETAILS



NOTES:

PANEL PREPARATION

1. MATERIAL AND FINISH:
 A. HOUSING, LEVER AND INTERNAL COMPONENTS: STEEL
 B. PAWL AND TRIGGER: HARDENED STEEL
 C. SPRINGS: STAINLESS STEEL, PASSIVATED
2. THE MISALIGNMENT VIEW ASSUMES THE LATCH IS CONNECTED TO A PERFECTLY RIGID DOOR AND HINGE; THEREFORE, THERE IS NO DOOR AND/OR HINGE SLACK ASSOCIATED WITH THESE DIMENSIONS, THE MISALIGNMENT VIEW DOES NOT TAKE FLEXING OF THE STRIKER BOLT INTO ACCOUNT.
3. SAME AS R4-30-3X-701-10 EXCEPT SINGLE STAGE.
4. RECOMMENDED MOUNTING TORQUE IS 9 Nm (80 INCH LBS).

THIRD ANGLE PROJECTION			
MILLIMETERS [IN]			
TOLERANCES UNLESS OTHERWISE NOTED		DESCRIPTION	
ALL DIMENSIONS WITHOUT TOLERANCES ARE FOR REFERENCE ONLY		R4 LATCH ASSEMBLY - DUAL TRIGGER RH, STEEL, SINGLE STAGE	
PROPRIETARY ITEM	PER ASME Y14.5M-2009	SIZE A3	SYSTEM NX
EXCEPT FOR USES EXPRESSLY GRANTED IN WRITING, INFORMATION DISCLOSED HEREON IS CONFIDENTIAL AND ALL RIGHTS, PATENT AND OTHERWISE, ARE RESERVED BY SOUTHCO, INC.		DWG NO. J-R4-30-10-701-10	
		DRAWN BY RKS/VK	DATE 11DEC2019
		SCALE 1:1	SHEET 1 OF 1