

REV	DATE	DRAWN/CHKD	DESCRIPTION	ITEM	PART NUMBER	MATERIAL	FINISH	PART NUMBER	MATERIAL	FINISH
A	20AUG2009	ACH/MJS	INITIAL RELEASE	ASSEMBLY	R4-99-308-50	--	--	R4-99-308-30	--	--
B	20OCT2009	ACH/MJS	PRN: P2009-1209	ROTARY SUBASSEMBLY	--	--	--	--	--	--
				CUP	--	NYLON	BLACK	--	NYLON	BLACK
				PADDLE	--	ZAMAC 3	BLACK POWDER COAT	--	ZAMAC 3	POLISHED CHROME
				ROCKER ARM	--	STEEL	ZINC PLATE, BRIGHT CHROMATE PLUS SEALER	--	STEEL	ZINC PLATE, BRIGHT CHROMATE PLUS SEALER
				SLIDE	--	STEEL	ZINC PLATE, BRIGHT CHROMATE PLUS SEALER	--	STEEL	ZINC PLATE, BRIGHT CHROMATE PLUS SEALER
				LOCKPLUG CAM ADAPTER	--	POM	BLACK	--	POM	BLACK
				PADDLE ARM	--	ZAMAC 3	OLIVE CHROMATE	--	ZAMAC 3	OLIVE CHROMATE
				PADDLE ARM CAP	--	ZAMAC 3	OLIVE CHROMATE	--	ZAMAC 3	OLIVE CHROMATE
				O-RING	--	NITRILE	BLACK	--	NITRILE	BLACK
				O-RING	--	NITRILE	BLACK	--	NITRILE	BLACK
				COMPRESSION SPRING	--	STAINLESS STEEL	PASSIVATED	--	STAINLESS STEEL	PASSIVATED
				TORSION SPRING	--	STAINLESS STEEL	PASSIVATED	--	STAINLESS STEEL	PASSIVATED
				M5 X 10 SCREW	--	1010 STEEL	ZINC PLATE, BRIGHT CHROMATE PLUS SEALER	--	1010 STEEL	ZINC PLATE, BRIGHT CHROMATE PLUS SEALER
				M5 X 14 SCREW	--	1010 STEEL	ZINC PLATE, BRIGHT CHROMATE PLUS SEALER	--	1010 STEEL	ZINC PLATE, BRIGHT CHROMATE PLUS SEALER
				M6 X 12 SCREW	--	1010 STEEL	ZINC PLATE, BRIGHT CHROMATE PLUS SEALER	--	1010 STEEL	ZINC PLATE, BRIGHT CHROMATE PLUS SEALER
				RETAINER	--	POM	BLACK	--	POM	BLACK
				BUMPER	--	EPDM	BLACK	--	EPDM	BLACK
				GASKET	--	FOAM	BLACK	--	FOAM	BLACK
				LOCK PLUG	--	ZAMAK	CHROMATE FINISH	--	ZAMAK	CHROMATE FINISH
				NUT	--	STEEL	ZINC PLATE, BRIGHT CHROMATE PLUS SEALER	--	STEEL	ZINC PLATE, BRIGHT CHROMATE PLUS SEALER
				KEY(2)	--	BRASS	NICKEL PLATED	--	BRASS	NICKEL PLATED

MILLIMETERS

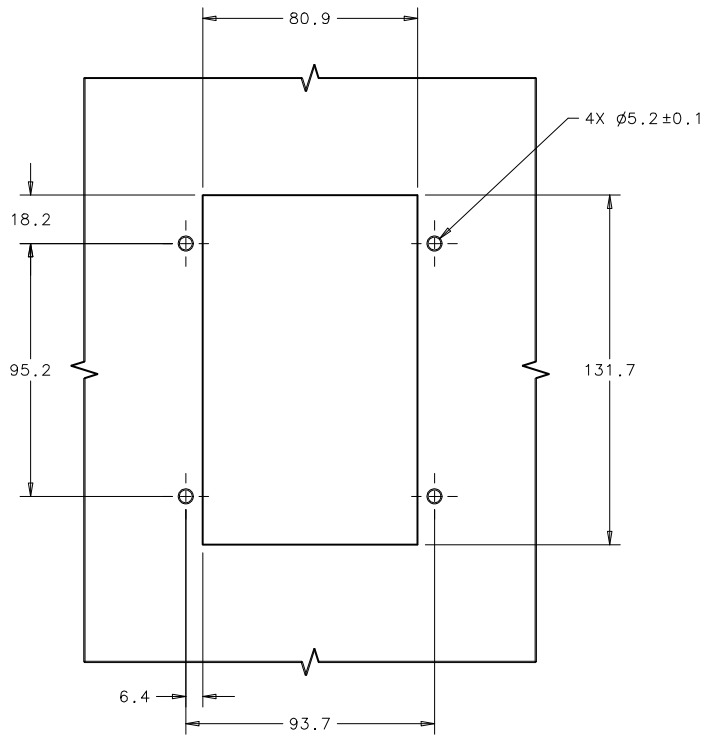
TOLERANCES UNLESS OTHERWISE NOTED

UP TO 0.5	±0.05
OVER 0.5 UP TO 6	±0.1
OVER 6 UP TO 30	±0.2
OVER 30	±0.3
ANGLES	±1°

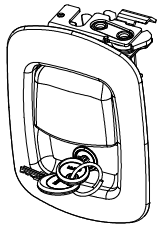
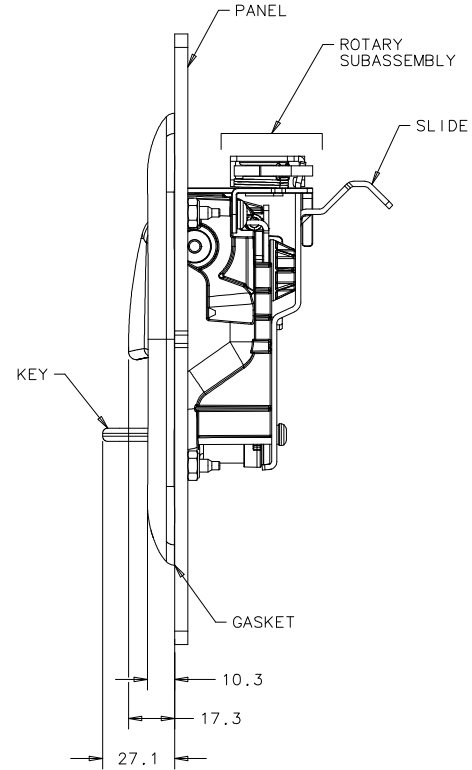
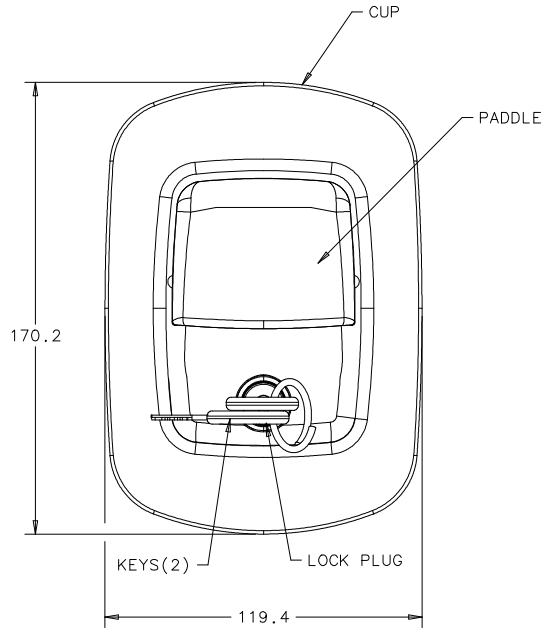
THIRD ANGLE PROJECTION

A3 PAPER SIZE

NOTE:
 A. FOR ELECTRONIC APPLICATION, USE:
 1. EM-99-170 ELECTRONIC ACTUATOR
 2. EA-R01 RF CONTROLLER



PANEL PREPARATION



SCALE .25:1