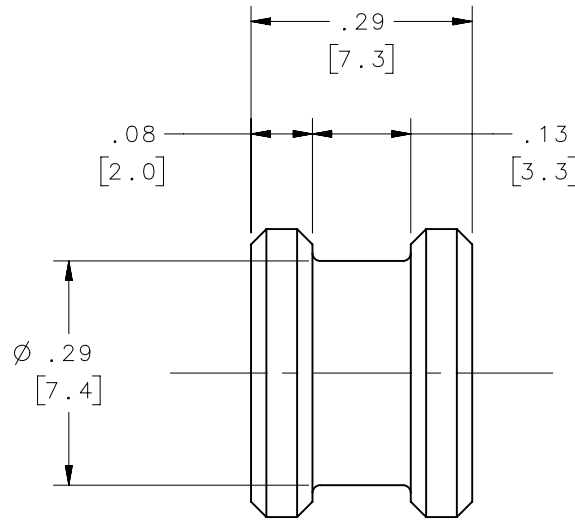
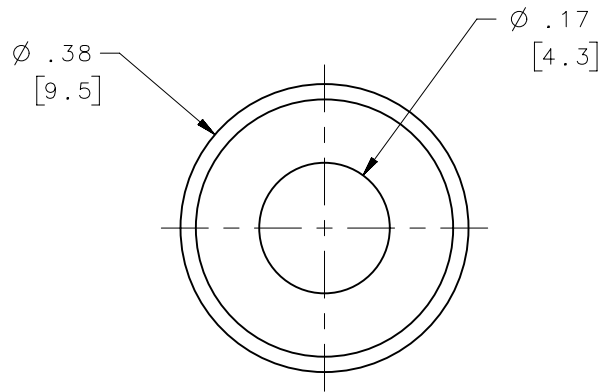
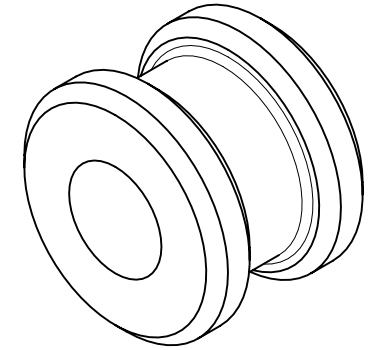


REVISION HISTORY			
REV	DATE	BY	DESCRIPTION
A	19MAR2012	MJS/MSR	PRN: P2012-0323



TL-05-117-55	KEEPER	STAINLESS STEEL	BLACK OXIDE PLUS WAX PRESERVATIVE
TL-05-117-52	KEEPER	STAINLESS STEEL	PASSIVATED
TL-05-117-08	KEEPER	STEEL	ZINC PLATE, YELLOW CHROMATE
TL-05-117-07	KEEPER	STEEL	ZINC PLATE AND CLEAR TRIVALENT PASSIVATE
SOUTHCO PART NUMBER	TYPE OF COMPONENT	MATERIAL	FINISH

	THIRD ANGLE PROJECTION	 CONNECT • CREATE • INNOVATE			
	INCHES [MM]				
SURFACE AREA XXXXXmm ²	TOLERANCES UNLESS OTHERWISE NOTED ALL DIMENSIONS WITHOUT TOLERANCES ARE FOR REFERENCE ONLY.	DESCRIPTION TL KEEPER			
VOLUME XXXXXmm ³		SIZE A	SYSTEM NX	DWG NO. J-TL-05-117	
<small> PROPRIETARY ITEM EXCEPT FOR USES EXPRESSLY GRANTED IN WRITING, INFORMATION DISCLOSED HEREON IS CONFIDENTIAL AND ALL RIGHTS, PATENT AND OTHERWISE, ARE RESERVED BY SOUTHCO, INC. </small>	PER ASME Y14.5M-1994	DRAWN BY MJS/MSR	DATE 19MAR2012	SCALE 4:1	SHEET 1 OF 1