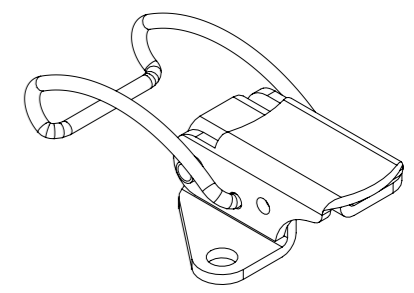
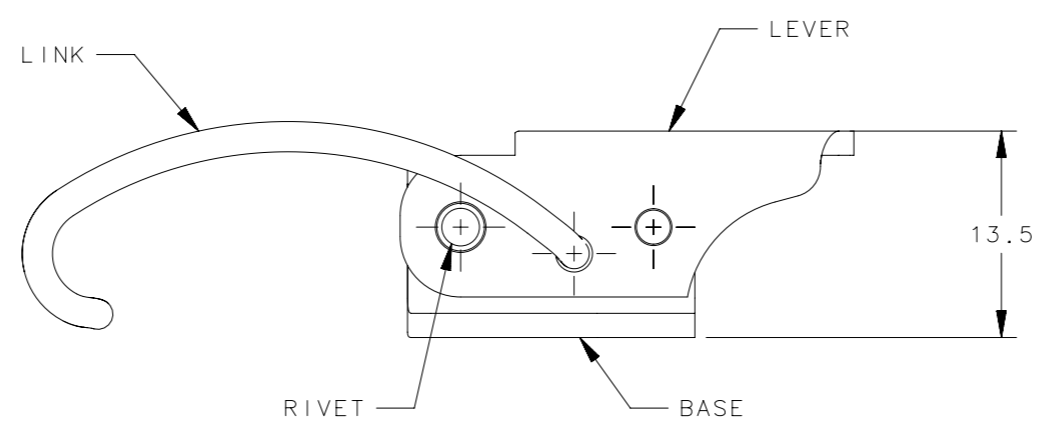
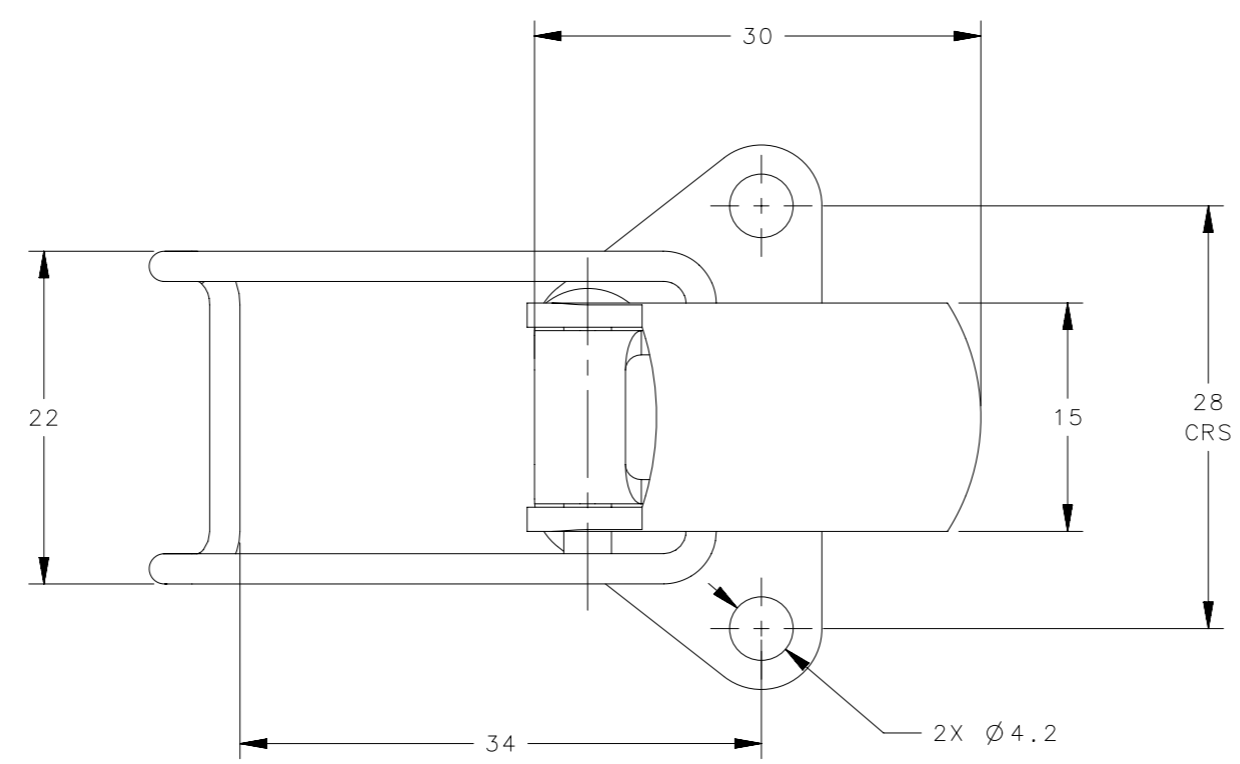


REVISION HISTORY			
REV	DATE	BY	DESCRIPTION
A	08AUG2013	MWC/YGC	PRN: P2013-1638



SCALE 1:1



TL-20-104-52	ASSEMBLY	STAINLESS STEEL	CLEAN
TL-20-104-24	ASSEMBLY	STAINLESS STEEL	ELECTRO POLISHED
TL-20-104-07	ASSEMBLY	CARBON STEEL	ZINC PLATE & TRIVALENT PASS.
PART NUMBER	TYPE OF COMPONENT	MATERIAL	FINISH

THIRD ANGLE PROJECTION		 CONNECT • CREATE • INNOVATE	
MILLIMETERS [IN]			
TOLERANCES UNLESS OTHERWISE NOTED		DESCRIPTION TOGGLE LATCH ASSEMBLY	
ALL DIMENSIONS WITHOUT TOLERANCES ARE FOR REFERENCE ONLY.		SIZE A3	SYSTEM NX
PROPRIETARY ITEM		DWG NO. J-TL-20-104-XX	
EXCEPT FOR USES EXPRESSLY GRANTED IN WRITING, INFORMATION DISCLOSED HEREON IS CONFIDENTIAL AND ALL RIGHTS, PATENT AND OTHERWISE, ARE RESERVED BY SOUTHCO, INC.		DRAWN BY MWC/YGC	DATE 08AUG2013
PER ASME Y14.5M-1994		SCALE 2:1	SHEET 1 OF 1