

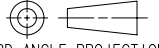
southco[®]

PROPRIETARY ITEM - EXCEPT FOR USES EXPRESSLY GRANTED IN WRITING INFORMATION DISCLOSED HEREON IS CONFIDENTIAL AND ALL RIGHTS PATENT AND OTHERWISE ARE RESERVED BY SOUTHCO, INC.

SWIM LATCH ASSEMBLY

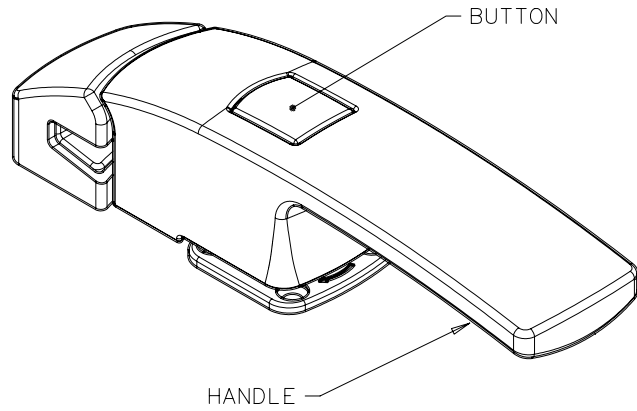
DATE	DRAWN	CHKD	SCALE	DRAWING NUMBER
18AUG2008	MJS	AR	.75:1	TD-TM-01-J

REV	DATE	DRAWN/CHKD	DESCRIPTION
A	08APR2009	MJS/AR	INITIAL RELEASE

 THIRD ANGLE PROJECTION

A4 PAPER SIZE

SOUTHCO PERFORMANCE GUIDELINES
THE PERFORMANCE GUIDELINES SHOWN ON THIS PAGE ARE SUPPLIED AS A GENERAL GUIDE ONLY, AS CONDITIONS VARY WITH EACH APPLICATION AND METHOD OF INSTALLATION. STRENGTH DATA GIVEN IS FOR FAILURE OF THE PRODUCT OR FOR SUFFICIENT DEFORMATION TO MAKE PRODUCT INOPERABLE. NO SAFETY FACTOR HAS BEEN APPLIED IT IS RECOMMENDED THAT THE USER REQUEST A PRODUCT SAMPLE FOR TESTING TO DETERMINE THE SUITABILITY OF THE PRODUCT FOR THE PURPOSE INTENDED AND USER'S PARTICULAR APPLICATION.



PART NUMBER	CYCLE LIFE
TM-10-101-24	Samples performed flawlessly after 5000 cycles and showed no noticeable signs of wear.