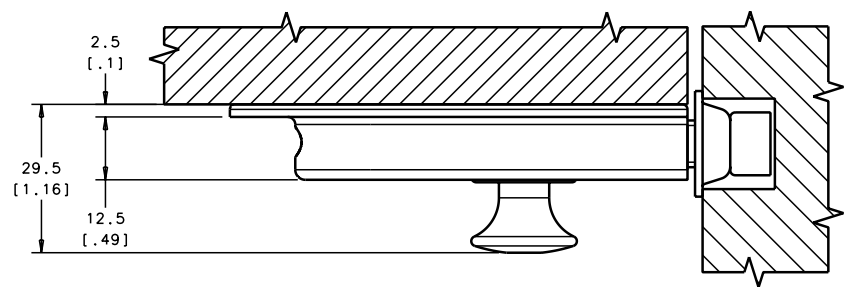
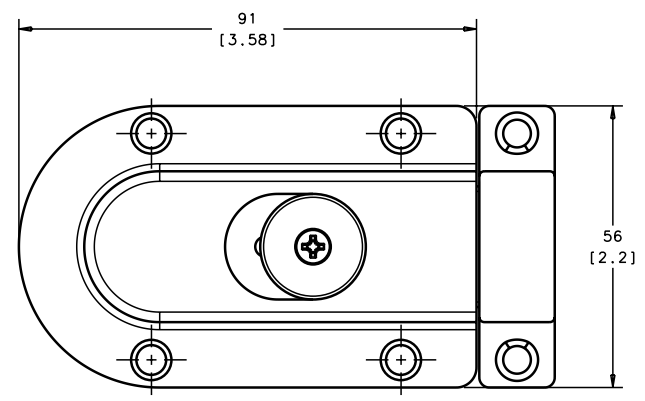


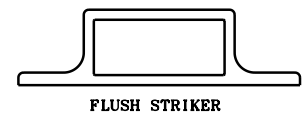
REVISION HISTORY			
REV	DATE	BY	DESCRIPTION



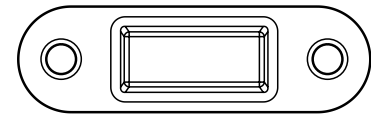
SHOWN WITH RIM STRIKER



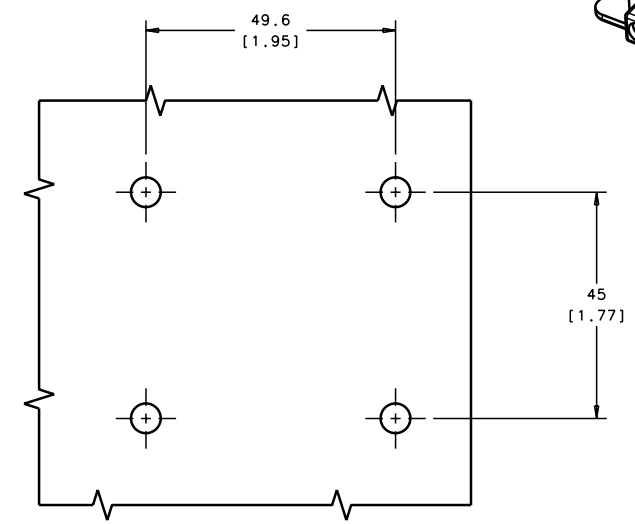
SHOWN WITH FLUSH STRIKER



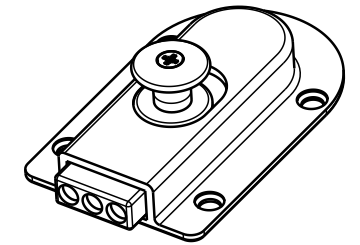
FLUSH STRIKER



RIM STRIKER



PANEL PREPARATION



NOTES:

A. MATERIAL AND FINISH:

- KNOB, HOUSING - CF-8M STAINLESS STEEL (NOMINAL CAST EQUIVALENT OF 316 STAINLESS STEEL), POLISHED.
- SCREW, STOP, SPRING - 304 STAINLESS STEEL, PASSIVATED.
- MAGNET
- DEAD BOLT, ESCUTCHEON - PA66, BLACK.
- DRIVE BAR - COPPER

M5-60-203-8	RIM	SEE NOTE A	SEE NOTE A
M5-60-201-8	FLUSH		
PART NUMBER	STRIKER	MATERIAL	FINISH
THIRD ANGLE PROJECTION		southco [®] CONNECT. CREATE. INNOVATE.	
MILLIMETERS [IN]			
ALL DIMENSIONS WITHOUT TOLERANCES ARE FOR REFERENCE ONLY.		TITLE OVAL SINGLE SIDE TRANSOM DOOR LATCH MAGNETIC	
PROPRIETARY ITEM <small>EXCEPT FOR USES EXPRESSLY GRANTED IN WRITING, INFORMATION DISCLOSED HEREIN IS CONFIDENTIAL AND ALL RIGHTS, PATENT AND OTHERWISE, ARE RESERVED BY SOUTHCO, INC.</small>		SIZE A3	SYSTEM IDEAS
PER ASME Y14.5M-1994		DWG NO. J-M5-60-203	DATE 16JAN2008
		SCALE 1:1	SHEET 1 OF 1