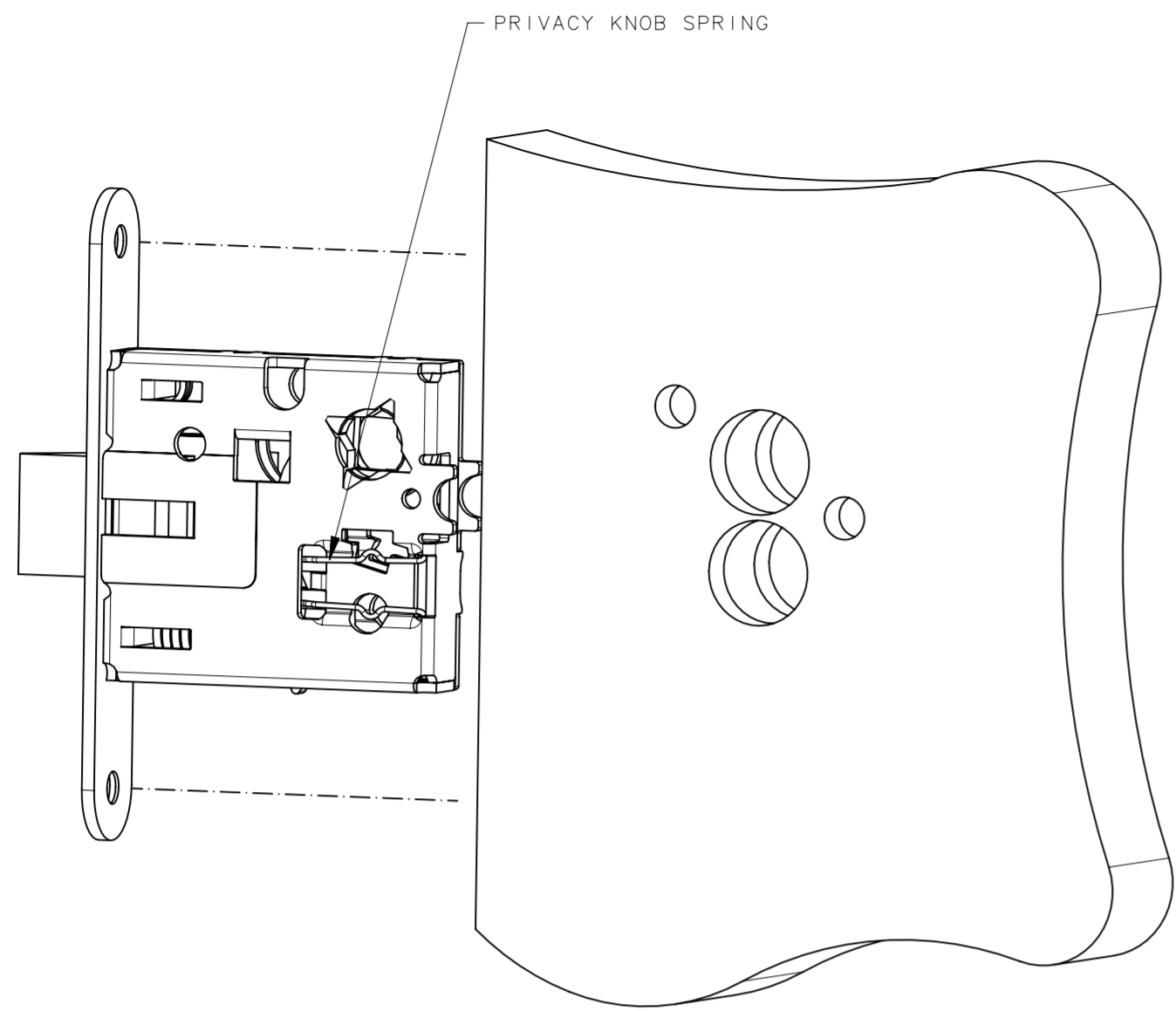
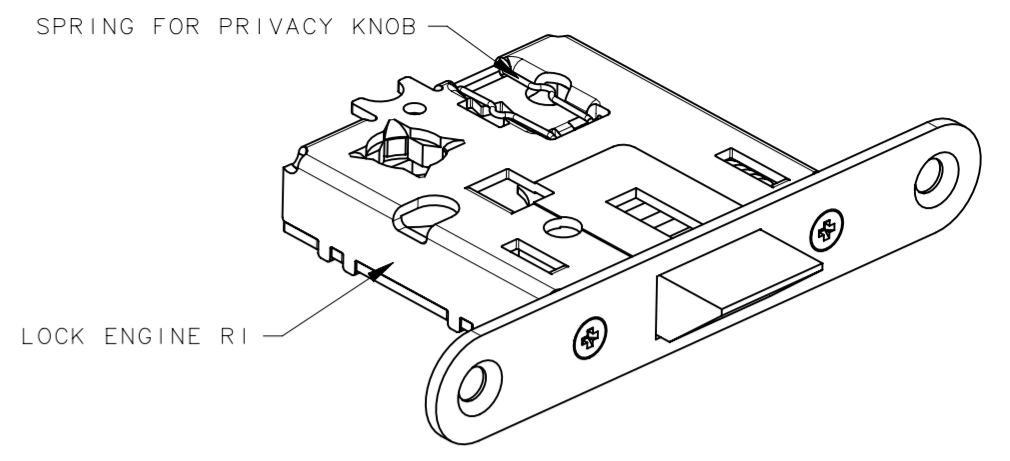


REVISION HISTORY			
REV	DATE	BY	DESCRIPTION
A	25MAY2018	YBS/VK	PRN: P2018-1281

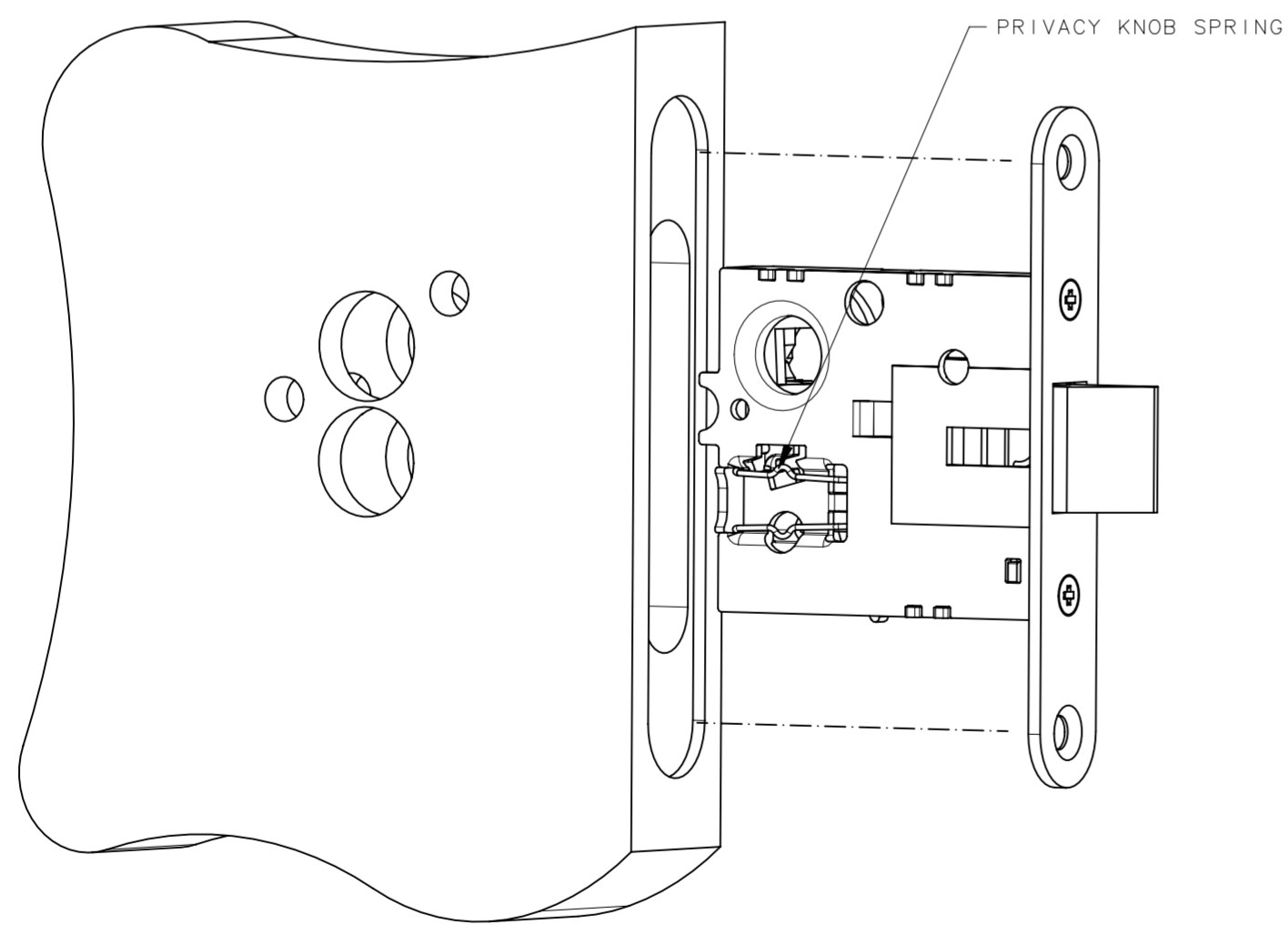
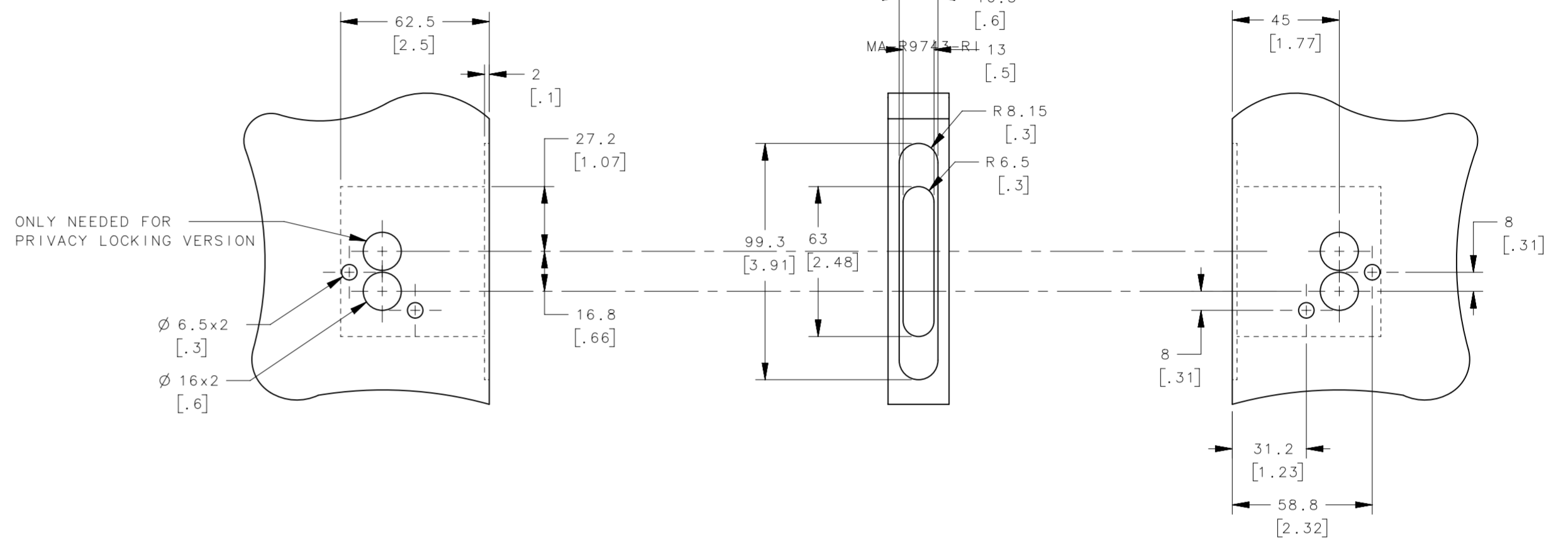


MA-R9743-RI
SCALE 1:1



MA-R9743-RI SHOWN

SCALE 1:1



MA-R9743-LO
SCALE 1:1

- NOTES:
MATERIAL AND FINISH
- LOCK MODULE
LOCK ENGINE: BRASS.
DEAD BOLT: BRASS, NICKEL PLATED.
SPRINGS: 304 STAINLESS STEEL.
 - FOREND: BRASS, NICKEL PLATED.
 - MOUNTING SCREWS: M4 POZIDRIVE, 316 STAINLESS STEEL.

MA-R9743-LO	LOCK ENGINE WITH PRIVACY SPRING	SEE NOTES	SEE NOTES
MA-R9743-RI	LOCK ENGINE WITH PRIVACY SPRING	SEE NOTES	SEE NOTES
PART NUMBER	TYPE OF COMPONENT	MATERIAL	FINISH
THIRD ANGLE PROJECTION			
MILLIMETERS [IN]			
SURFACE AREA		DESCRIPTION	
VOLUME		LOCK ENGINE WITH PRIVACY SPRING	
PROPRIETARY ITEM		SIZE	SYSTEM
EXCEPT FOR USES EXPRESSLY GRANTED IN WRITING, INFORMATION DISCLOSED HEREON IS CONFIDENTIAL AND ALL RIGHTS, PATENT AND OTHERWISE, ARE RESERVED BY SOUTHCO, INC.		A2	NX
PER ASME Y14.5M-1994		DWG NO.	J-MA-R9743
		DRAWN BY	YBS/VK
		DATE	25MAY2018
		SCALE	1:2
		SHEET	1 OF 1