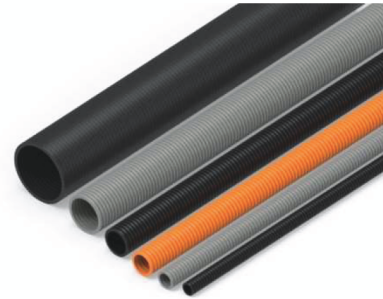




CABLE CONDUITS & CONDUIT CONNECTORS

INTRODUCTION

The installation instructions for Cable Conduits and Conduit Connectors are demonstrated in this document.



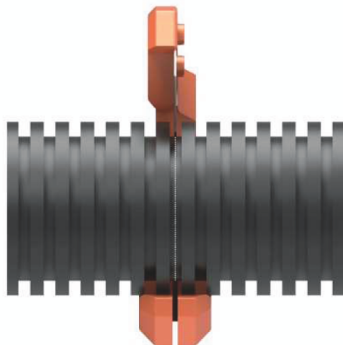
ASSEMBLY INSTRUCTIONS

PRE-ASSEMBLY PREPARATION

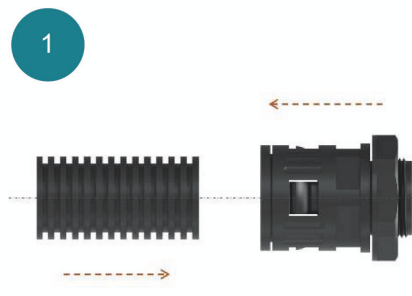
Clean Components: Ensure the corrugated conduit and conduit connector are free from oil, iron filings, dust, and other contaminants.

Inspect Conduit Ends: Ensure the corrugated conduit is free from burrs. If required, trim the conduit ends to obtain a smooth, uniform edge.

Cut to Correct Length: Cut the corrugated conduit to the specified length with a straight cut through the corrugation. Ensure the cut edge is within one corrugation.

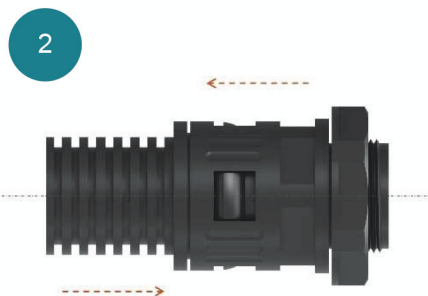


CONDUIT CONNECTOR INSTALLATION



Component Selection and Alignment

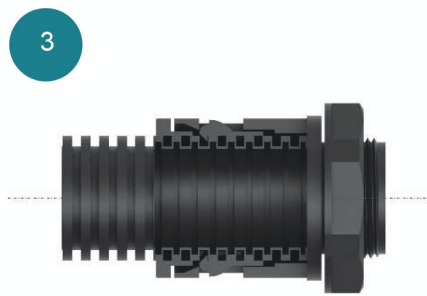
Verify that the corrugated conduit and conduit connector are of compatible sizes. Align the conduit connector coaxially with the prepared conduit end.



Insertion and Locking

Insert the conduit connector straight into the corrugated conduit while maintaining axial alignment. Apply steady force until the conduit reaches the bottom and stops.

During insertion, the connector's snap-fit feature engages with the conduit corrugation, securely locking the conduit in position.

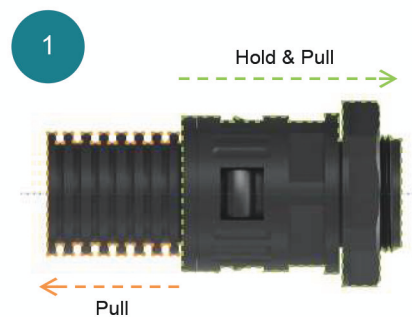


Installation Verification

Perform a visual inspection to confirm:

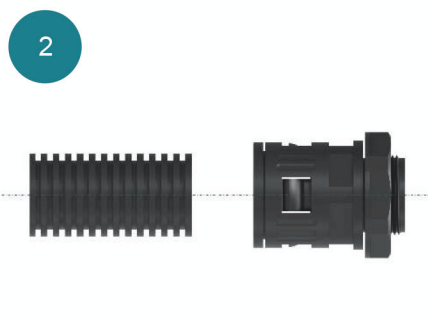
- The connector is not angled or skewed.
- The snap-fit feature is fully engaged.
- The conduit is seated to the insertion stop without deformation.

CONDUIT CONNECTOR REMOVAL



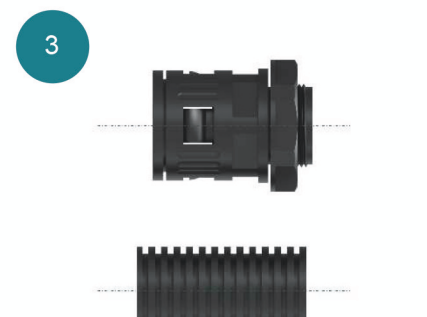
Snap Release

Hold the conduit connector body securely. Press the connector jacket toward the connector body to disengage the locking feature.



Conduit Withdrawal

While maintaining the release position, pull the conduit or connector straight apart along the axial direction. Do not twist during removal.



Component Inspection

Inspect the corrugated conduit for any damage at the engagement area. Examine the conduit connector and snap-fit feature and check for signs of wear or aging. Replace any damaged components.

Your local Authorized TE Connectivity Distributor:

Hardware Specialty Co., Inc.

For more information, visit our website:
www.hardware-specialty.com